

**Customer**

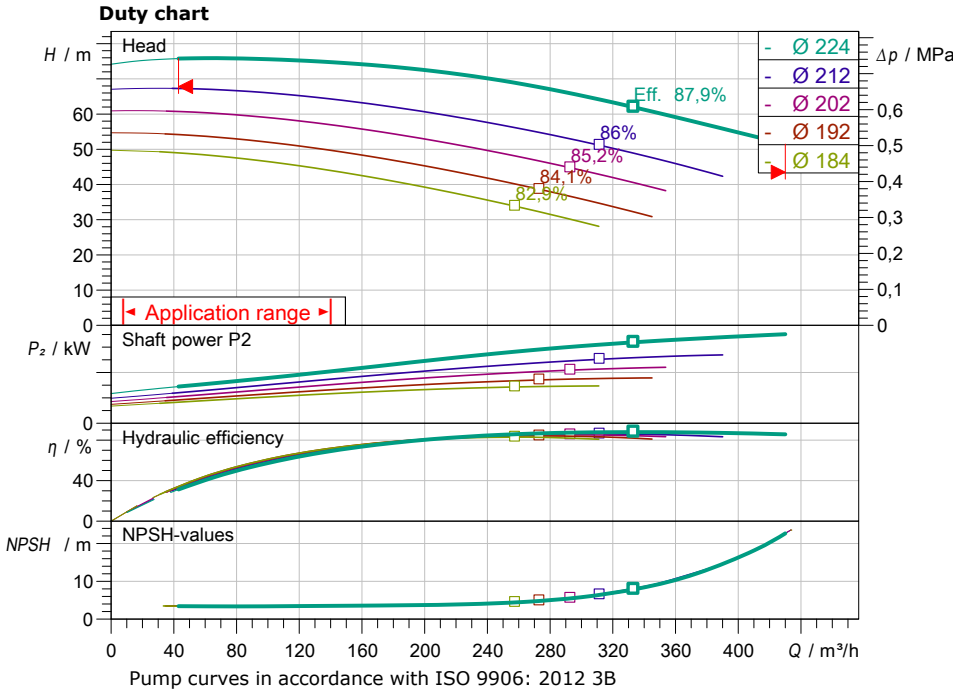
## Technical data

### Glanded standard pump Atmos GIGA-N 100/200-75/2

Project name                      Untitled project 2023-04-17 06:56:01.101

Project ID  
Installation location  
Customer pos. No.

Date                      17.04.2023



#### Requested data

Flow  
Head  
Media                      Water 100 %  
Fluid temperature                      20,00 °C  
Density                      998,30 kg/m<sup>3</sup>  
Kin. viscosity                      1,00 mm<sup>2</sup>/s

#### Hydraulic data (Duty point)

Flow  
Head  
Shaft power P2  
Hydraulic efficiency  
NPSH  
Impeller size                      224

#### Product data

Glanded standard pump  
Atmos GIGA-N 100/200-75/2  
Max. operating pressure                      1,6 MPa  
Fluid temperature                      -20 °C ... +140 °C  
Max. ambient temperature                      40 °C  
Minimum efficiency index (MEI)                      ≥ 0.4

#### Motordata per Motor/Pump

Motor efficiency level                      IE3  
Mains connection                      3~ 400 V / 50 Hz  
Permitted voltage tolerance                      +-10 %  
Max. speed                      2965 1/min  
Rated power P2                      75,00 kW  
Rated current                      128,00 A  
Power factor                      0,87  
Efficiency                      50% / 75% / 100%                      95/95,3/94,9%  
Degree of protection                      IP55  
Insulation class                      F  
Motor protection                      PTC integrated

#### Fitting dimensions

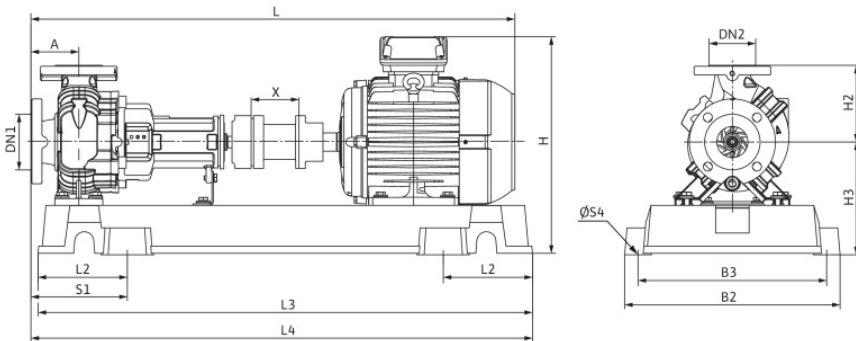
Pipe connection on the suction side                      DN 125, PN 16  
Pipe connection (pressure side)                      DN 100, PN 16  
Port to Port

#### Materials

Pump housing                      5.1301/EN-GJL-250  
  
Impeller                      EN-GJL-200  
Lantern                      5.1301/EN-GJL-250  
Shaft                      1.4021  
Shaft seal                      AQ1EGG

#### Information for order placements

Weight approx.                      1147 kg  
Item number                      6086223



#### Dimensions

mm

DN1	DN 125, PN16	875	L3	1840
DN2	DN 100, PN16	280	L4	1855
A	125	H3	S1	335
B2	730	L	S4	29
B3	670	L2	X	140

# Hydraulic data

Glanded standard pump  
Atmos GIGA-N 100/200-75/2

Project name: Untitled project 2023-04-17 06:56:01.101

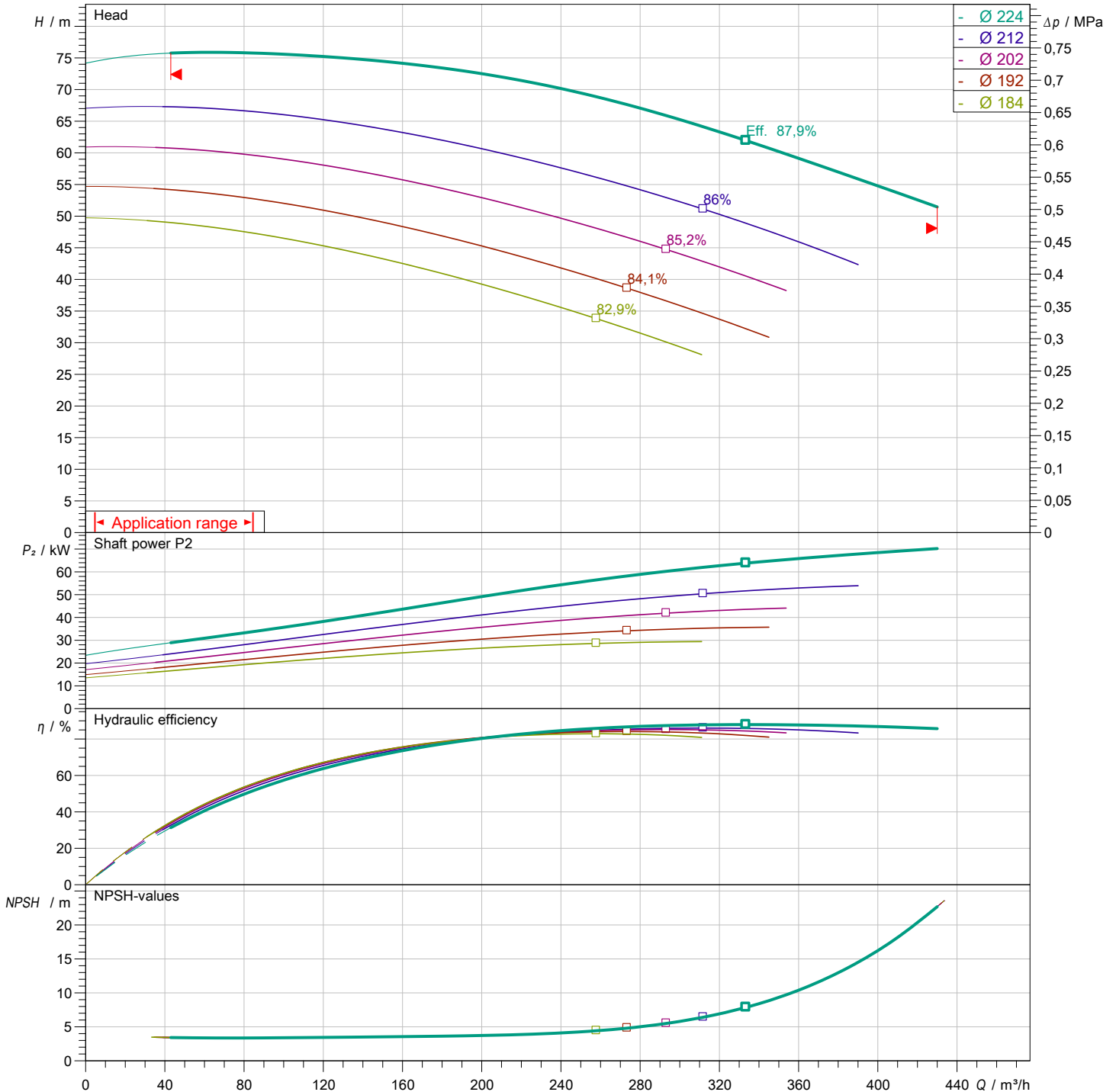
Project ID  
Installation location  
Customer pos. No.

Date: 17.04.2023

## Operating data

Speed <b>2975 1/min</b>	Frequency <b>50 Hz</b>	Duty point <b>Q =</b>	<b>H =</b>	Suction port <b>DN 125</b>	Discharge port <b>DN 100</b>
----------------------------	---------------------------	--------------------------	------------	-------------------------------	---------------------------------

Power data referred to: Water; 20°C; 998,3kg/m³; 1,005mm²/s ±10% tolerance with linear U/f frequency control



Contact  
E-mail  
Phone

**Customer**

Contact  
E-mail  
Phone

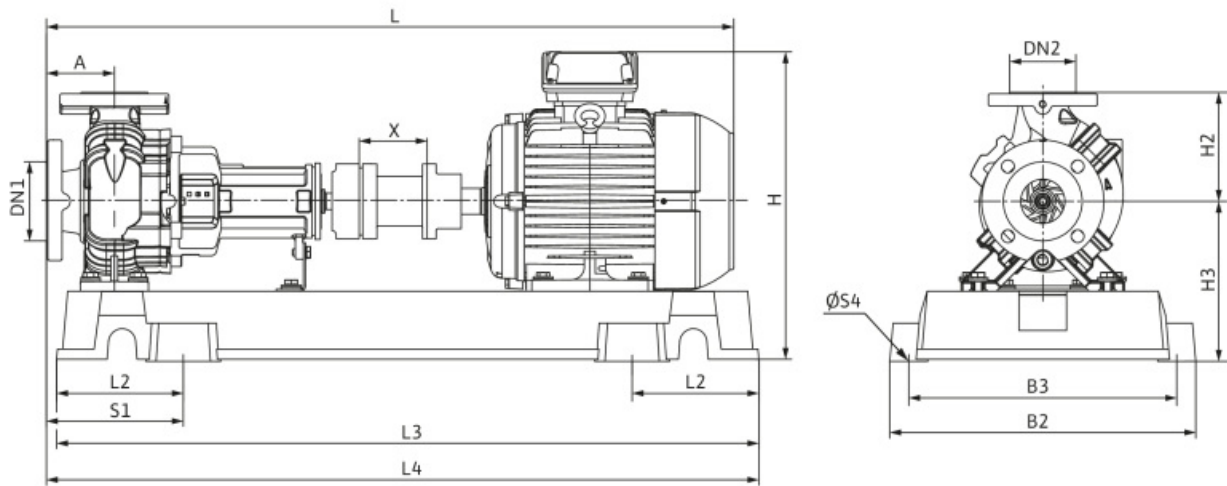
## Dimensions

Glanded standard pump  
Atmos GIGA-N 100/200-75/2

Project name                      Untitled project 2023-04-17 06:56:01.101

Project ID  
Installation location  
Customer pos. No.

Date                      17.04.2023



Coupling with spacer

Suction side                      DN 125, PN 16  
Discharge side                      DN 100, PN 16

**Dimensions**                      mm

Name	Value	Name	Value	Name	Value	Name	Value
DN1	DN 125, PN 16	H3	403	X	140		
DN2	DN 100, PN 16	L	1806				
A	125	L2	320				
B2	730	L3	1840				
B3	670	L4	1855				
H	875	S1	335				
H2	280	S4	29				