

Customer

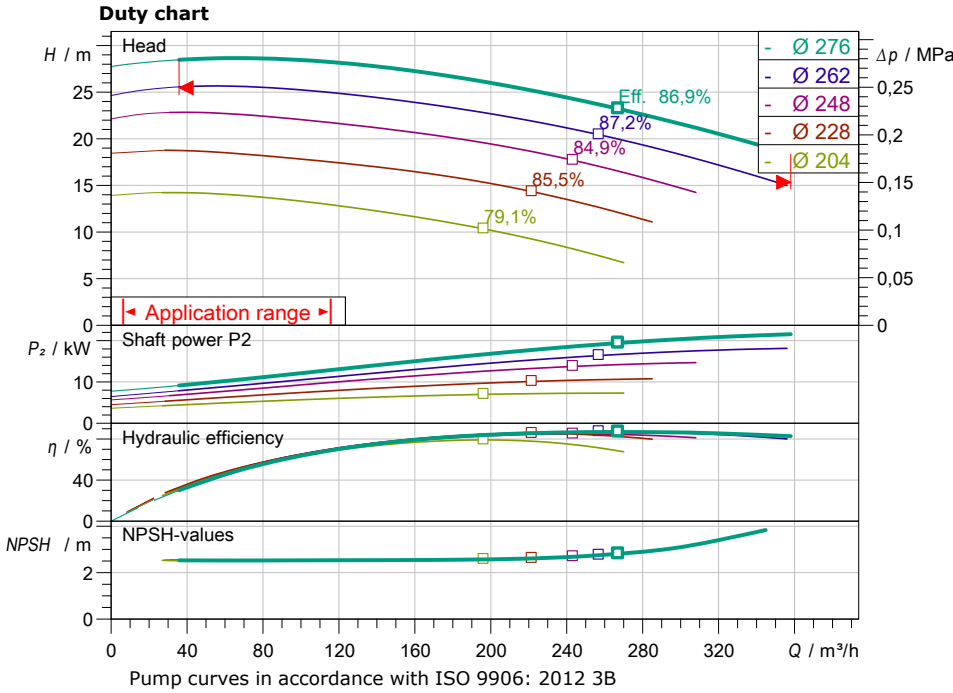
Technical data

Glanded standard pump Atmos GIGA-N 125/250-22/4

Project name: Untitled project 2023-04-17 10:24:42.119

Project ID
Installation location
Customer pos. No.

Date: 17.04.2023



Requested data

Flow
Head
Media: Water 100 %
Fluid temperature: 20,00 °C
Density: 998,30 kg/m³
Kin. viscosity: 1,00 mm²/s

Hydraulic data (Duty point)

Flow
Head
Shaft power P2
Hydraulic efficiency
NPSH
Impeller size: 276

Product data

Glanded standard pump
Atmos GIGA-N 125/250-22/4
Max. operating pressure: 1,6 MPa
Fluid temperature: -20 °C ... +140 °C
Max. ambient temperature: 40 °C
Minimum efficiency index (MEI): ≥ 0.4

Motordata per Motor/Pump

Motor efficiency level: IE3
Mains connection: 3~ 400 V / 50 Hz
Permitted voltage tolerance: + -10 %
Max. speed: 1470 1/min
Rated power P2: 22,00 kW
Rated current: 41,00 A
Power factor: 0,77
Efficiency: 50% / 75% / 100%: 92,3/93/93,2%
Degree of protection: IP55
Insulation class: F
Motor protection: PTC integrated

Fitting dimensions

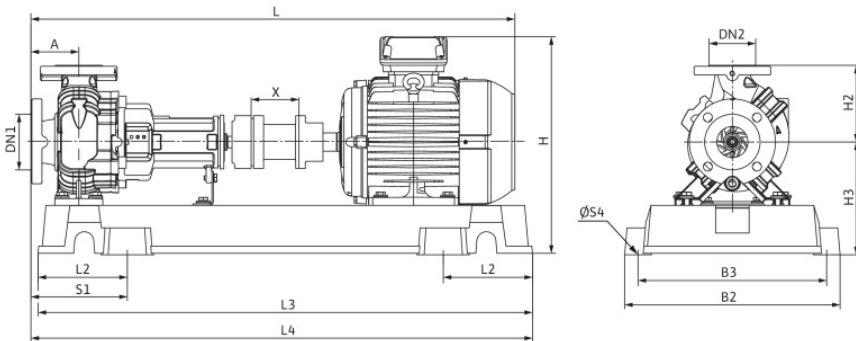
Pipe connection on the suction side: DN 150, PN 16
Pipe connection (pressure side): DN 125, PN 16
Port to Port

Materials

Pump housing: 5.1301/EN-GJL-250
Impeller: EN-GJL-200
Lantern: 5.1301/EN-GJL-250
Shaft: 1.4021
Shaft seal: AQ1EGG

Information for order placements

Weight approx.: 488 kg
Item number: 6086249



Dimensions mm

DN1	DN 150, PN16	632	L3	1440
DN2	DN 125, PN16	355	L4	1470
A	140	H3	S1	280
B2	610	L	S4	29
B3	550	L2	X	140

Hydraulic data

Glanded standard pump
Atmos GIGA-N 125/250-22/4

Project name: Untitled project 2023-04-17 10:24:42.119

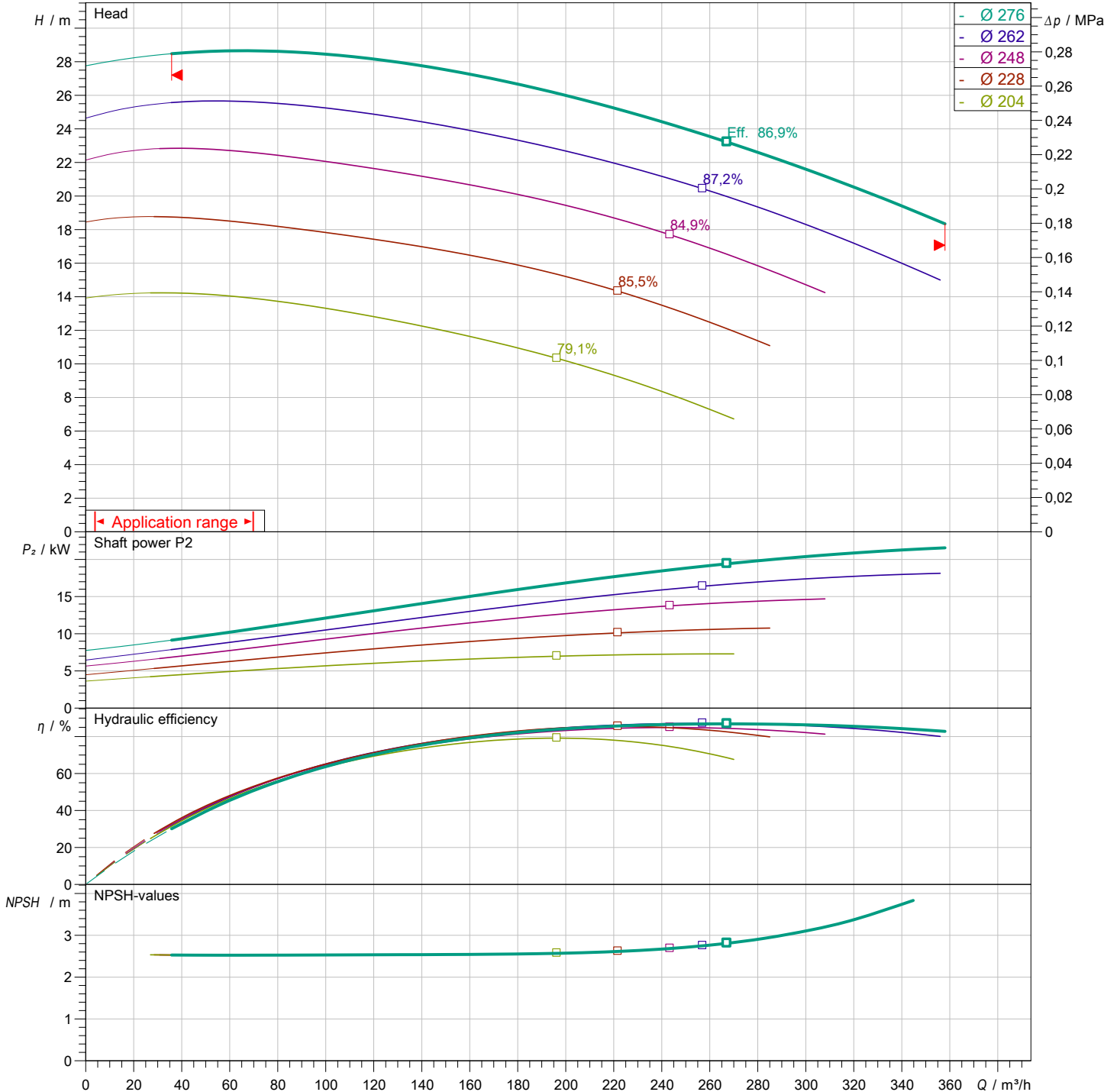
Project ID
Installation location
Customer pos. No.

Date: 17.04.2023

Operating data

Speed 1479 1/min	Frequency 50 Hz	Duty point Q =	H =	Suction port DN 150	Discharge port DN 125
----------------------------	---------------------------	--------------------------	------------	-------------------------------	---------------------------------

Power data referred to: Water; 20°C; 998,3kg/m³; 1,005mm²/s ±10% tolerance with linear U/f frequency control



Contact
E-mail
Phone

Customer

Contact
E-mail
Phone

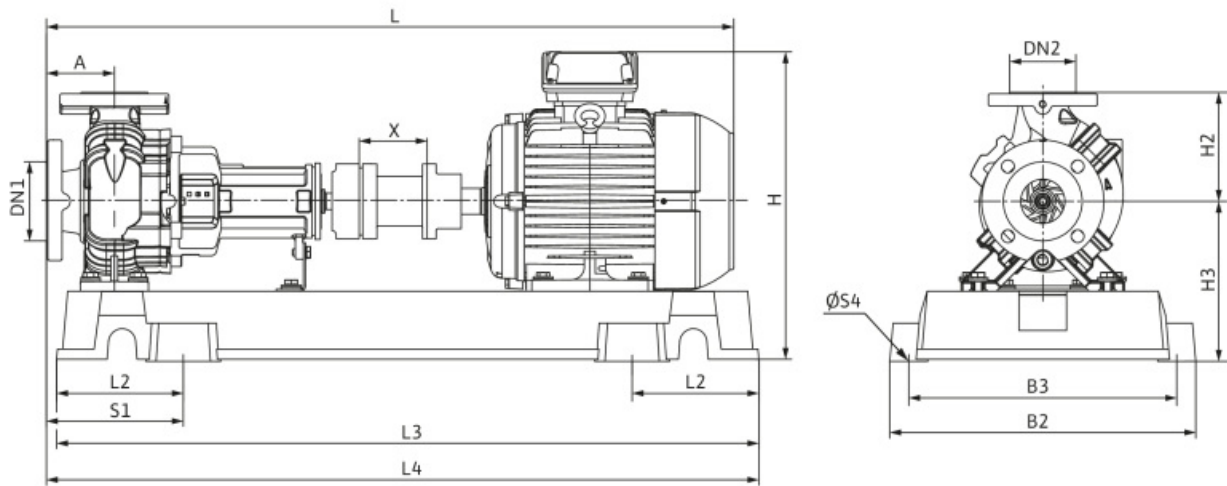
Dimensions

Glanded standard pump
Atmos GIGA-N 125/250-22/4

Project name Untitled project 2023-04-17 10:24:42.119

Project ID
Installation location
Customer pos. No.

Date 17.04.2023



Coupling with spacer

Suction side DN 150, PN 16
Discharge side DN 125, PN 16

Dimensions mm

Name	Value	Name	Value	Name	Value	Name	Value
DN1	DN 150, PN 16	H3	353	X	140		
DN2	DN 125, PN 16	L	1452				
A	140	L2	250				
B2	610	L3	1440				
B3	550	L4	1470				
H	632	S1	280				
H2	355	S4	29				