

Customer

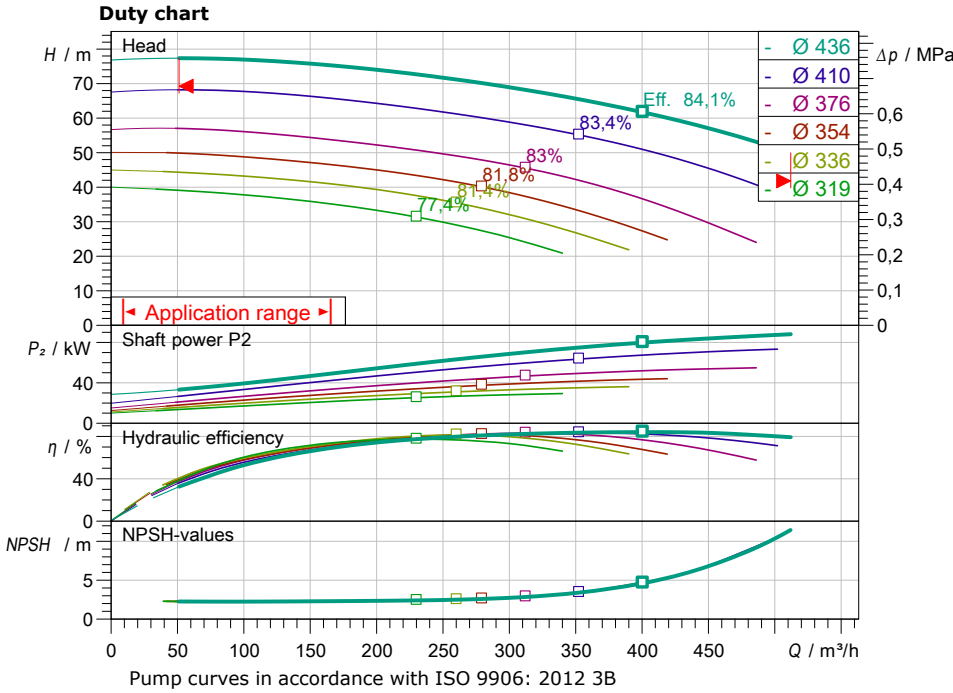
Technical data

Glanded standard pump Atmos GIGA-N 125/400-90/4

Project name Untitled project 2023-04-17 10:24:42.119

Project ID
Installation location
Customer pos. No.

Date 17.04.2023



Requested data

Flow
Head
Media Water 100 %
Fluid temperature 20,00 °C
Density 998,30 kg/m³
Kin. viscosity 1,00 mm²/s

Hydraulic data (Duty point)

Flow
Head
Shaft power P2
Hydraulic efficiency
NPSH
Impeller size 436

Product data

Glanded standard pump
Atmos GIGA-N 125/400-90/4
Max. operating pressure 1,6 MPa
Fluid temperature -20 °C ... +140 °C
Max. ambient temperature 40 °C
Minimum efficiency index (MEI) ≥ 0.4

Motordata per Motor/Pump

Motor efficiency level IE3
Mains connection 3~ 400 V / 50 Hz
Permitted voltage tolerance + -10 %
Max. speed 1485 1/min
Rated power P2 90,00 kW
Rated current 158,00 A
Power factor 0,83
Efficiency 50% / 75% / 100% 94,9/95,4/95,4%
Degree of protection IP55
Insulation class F
Motor protection PTC integrated

Fitting dimensions

Pipe connection on the suction side DN 150, PN 16
Pipe connection (pressure side) DN 125, PN 16
Port to Port

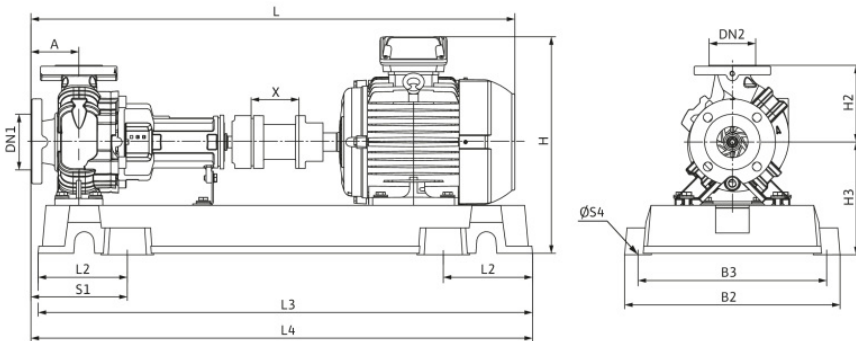
Materials

Pump housing 5.1301/EN-GJL-250

Impeller EN-GJL-200
Lantern 5.1301/EN-GJL-250
Shaft 1.4021
Shaft seal AQ1EGG

Information for order placements

Weight approx. 1345 kg
Item number 6086266



Dimensions mm

DN1	DN 150, PN16	910	L3	1840
DN2	DN 125, PN16	400	L4	1850
A	140	H3	S1	330
B2	730	L	S4	29
B3	670	L2	X	140

Hydraulic data

Glanded standard pump
Atmos GIGA-N 125/400-90/4

Project name: Untitled project 2023-04-17 10:24:42.119

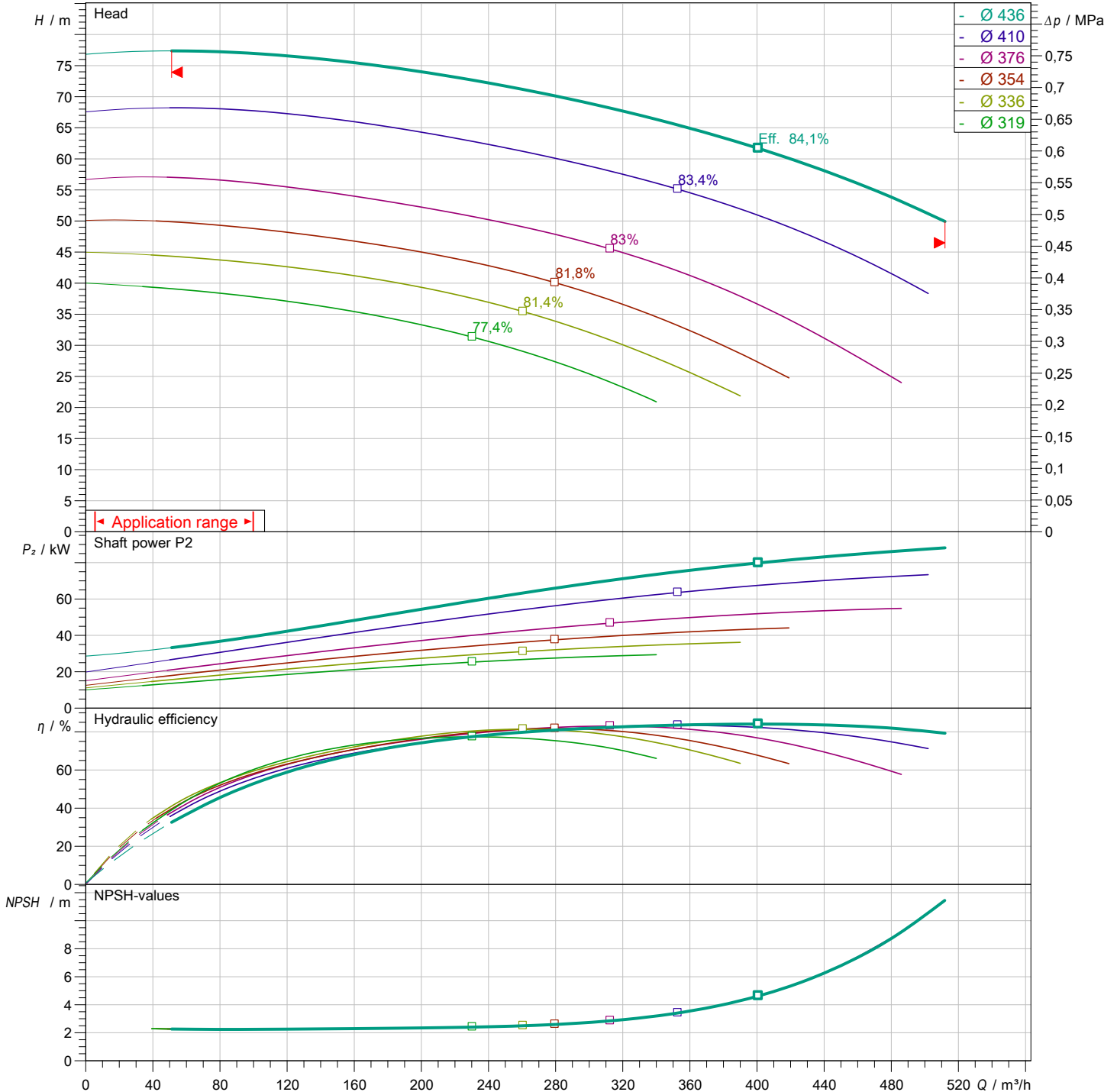
Project ID
Installation location
Customer pos. No.

Date: 17.04.2023

Operating data

Speed 1485 1/min	Frequency 50 Hz	Duty point Q =	H =	Suction port DN 150	Discharge port DN 125
----------------------------	---------------------------	--------------------------	------------	-------------------------------	---------------------------------

Power data referred to: Water; 20°C; 998,3kg/m³; 1,005mm²/s ±10% tolerance with linear U/f frequency control



Contact
E-mail
Phone

Customer

Contact
E-mail
Phone

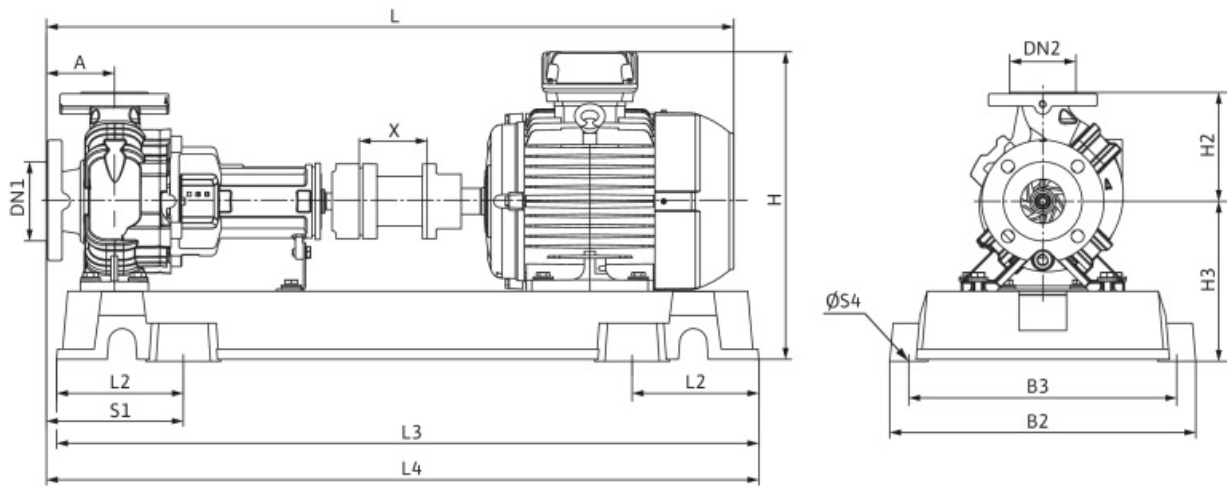
Dimensions

Glanded standard pump
Atmos GIGA-N 125/400-90/4

Project name Untitled project 2023-04-17 10:24:42.119

Project ID
Installation location
Customer pos. No.

Date 17.04.2023



Coupling with spacer

Suction side DN 150, PN 16
Discharge side DN 125, PN 16

Dimensions mm

Name	Value	Name	Value	Name	Value	Name	Value
DN1	DN 150, PN 16	H3	438	X	140		
DN2	DN 125, PN 16	L	1881				
A	140	L2	320				
B2	730	L3	1840				
B3	670	L4	1850				
H	910	S1	330				
H2	400	S4	29				