

**Customer**

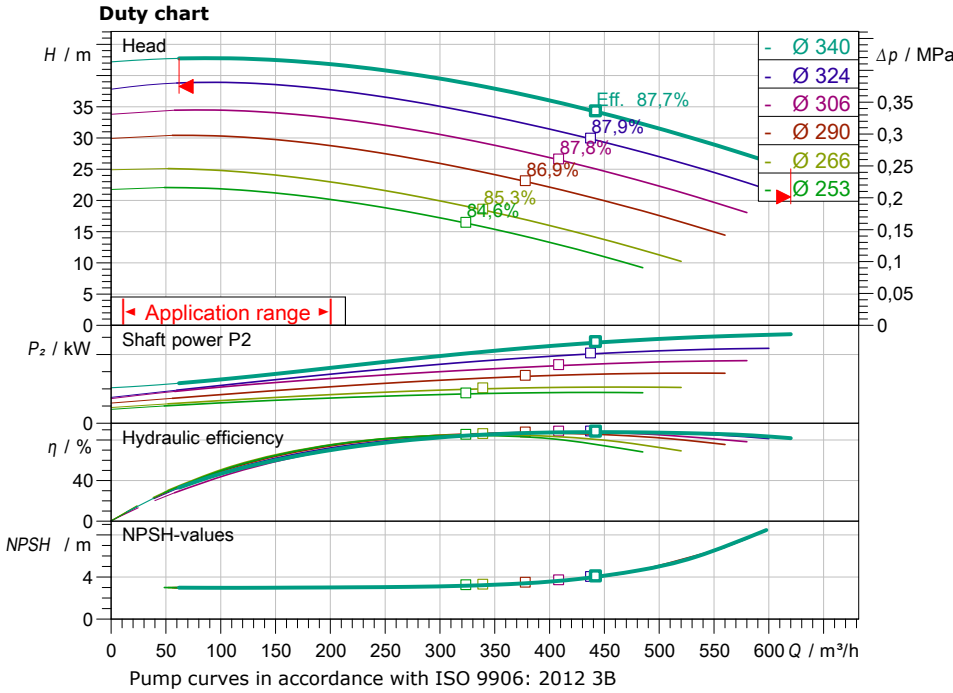
## Technical data

### Glanded standard pump Atmos GIGA-N 150/315-55/4

Project name Untitled project 2023-04-17 10:24:42.119

Project ID  
Installation location  
Customer pos. No.

Date 17.04.2023



**Requested data**

Flow  
Head  
Media Water 100 %  
Fluid temperature 20,00 °C  
Density 998,30 kg/m³  
Kin. viscosity 1,00 mm²/s

**Hydraulic data (Duty point)**

Flow  
Head  
Shaft power P2  
Hydraulic efficiency  
NPSH  
Impeller size 340

**Product data**

Glanded standard pump  
Atmos GIGA-N 150/315-55/4  
Max. operating pressure 1,6 MPa  
Fluid temperature -20 °C ... +140 °C  
Max. ambient temperature 40 °C  
Minimum efficiency index (MEI) ≥ 0.4

**Motordata per Motor/Pump**

Motor efficiency level IE3  
Mains connection 3~ 400 V / 50 Hz  
Permitted voltage tolerance +-10 %  
Max. speed 1480 1/min  
Rated power P2 55,00 kW  
Rated current 98,60 A  
Power factor 0,8  
Efficiency 50% / 75% / 100% 94,3/94,7/94,7%  
Degree of protection IP55  
Insulation class F  
Motor protection PTC integrated

**Fitting dimensions**

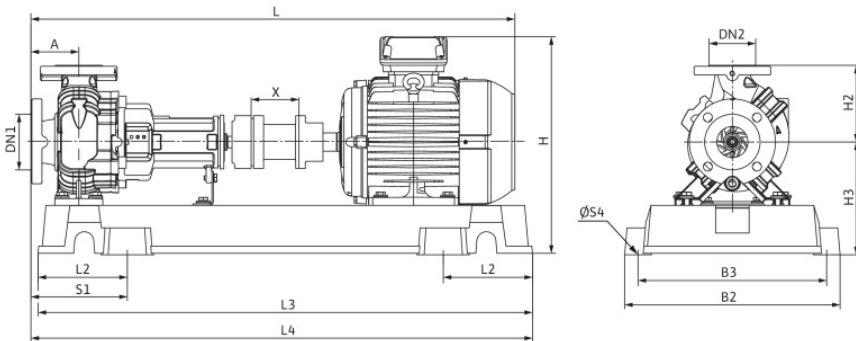
Pipe connection on the suction side DN 200, PN 16  
Pipe connection (pressure side) DN 150, PN 16  
Port to Port

**Materials**

Pump housing 5.1301/EN-GJL-250  
Impeller EN-GJL-200  
Lantern 5.1301/EN-GJL-250  
Shaft 1.4021  
Shaft seal AQ1EGG

**Information for order placements**

Weight approx. 1002 kg  
Item number 6086288



**Dimensions**

mm

|     |              |     |      |      |     |
|-----|--------------|-----|------|------|-----|
| DN1 | DN 200, PN16 | 805 | L3   | 1840 |     |
| DN2 | DN 150, PN16 | 400 | L4   | 1870 |     |
| A   | 160          | H3  | 403  | S1   | 350 |
| B2  | 730          | L   | 1795 | S4   | 29  |
| B3  | 670          | L2  | 320  | X    | 140 |

## Hydraulic data

Glanded standard pump  
Atmos GIGA-N 150/315-55/4

Project name: Untitled project 2023-04-17 10:24:42.119

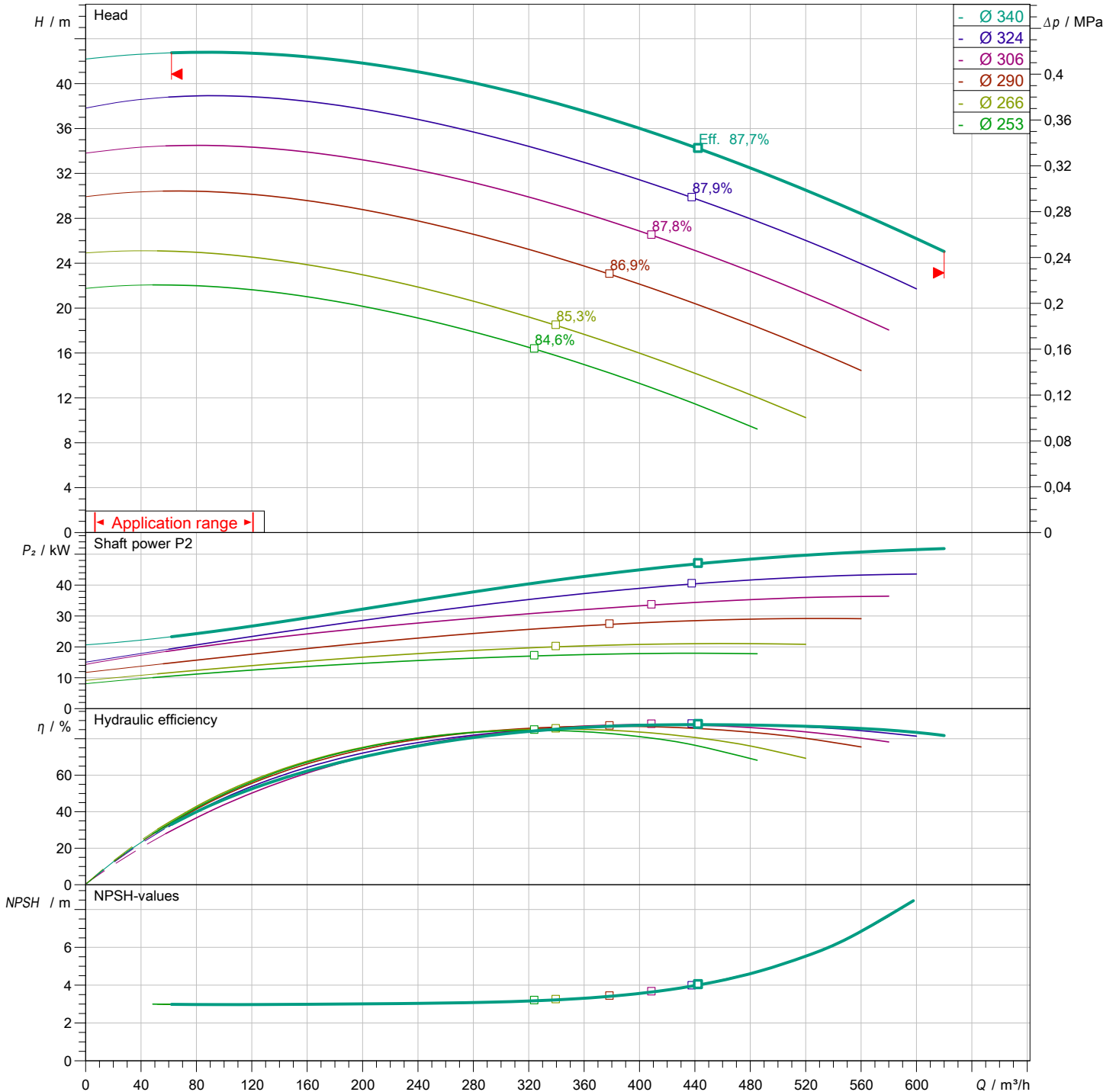
Project ID  
Installation location  
Customer pos. No.

Date: 17.04.2023

### Operating data

|                            |                           |                          |            |                               |                                 |
|----------------------------|---------------------------|--------------------------|------------|-------------------------------|---------------------------------|
| Speed<br><b>1485 1/min</b> | Frequency<br><b>50 Hz</b> | Duty point<br><b>Q =</b> | <b>H =</b> | Suction port<br><b>DN 200</b> | Discharge port<br><b>DN 150</b> |
|----------------------------|---------------------------|--------------------------|------------|-------------------------------|---------------------------------|

Power data referred to: Water; 20°C; 998,3kg/m<sup>3</sup>; 1,005mm<sup>2</sup>/s ±10% tolerance with linear U/f frequency control



Contact  
E-mail  
Phone

**Customer**

Contact  
E-mail  
Phone

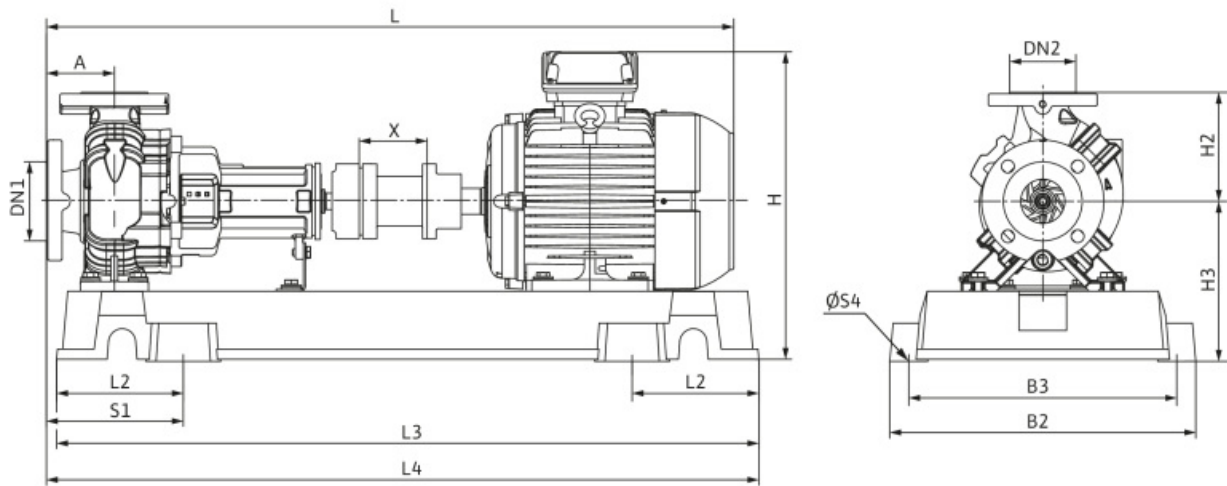
## Dimensions

Glanded standard pump  
Atmos GIGA-N 150/315-55/4

Project name                      Untitled project 2023-04-17 10:24:42.119

Project ID  
Installation location  
Customer pos. No.

Date                      17.04.2023



Coupling with spacer

Suction side                      DN 200, PN 16  
Discharge side                      DN 150, PN 16

**Dimensions**                      mm

| Name | Value         | Name | Value | Name | Value | Name | Value |
|------|---------------|------|-------|------|-------|------|-------|
| DN1  | DN 200, PN 16 | H3   | 403   | X    | 140   |      |       |
| DN2  | DN 150, PN 16 | L    | 1795  |      |       |      |       |
| A    | 160           | L2   | 320   |      |       |      |       |
| B2   | 730           | L3   | 1840  |      |       |      |       |
| B3   | 670           | L4   | 1870  |      |       |      |       |
| H    | 805           | S1   | 350   |      |       |      |       |
| H2   | 400           | S4   | 29    |      |       |      |       |