

Contact
E-mail
Phone

Customer

Contact
E-mail
Phone

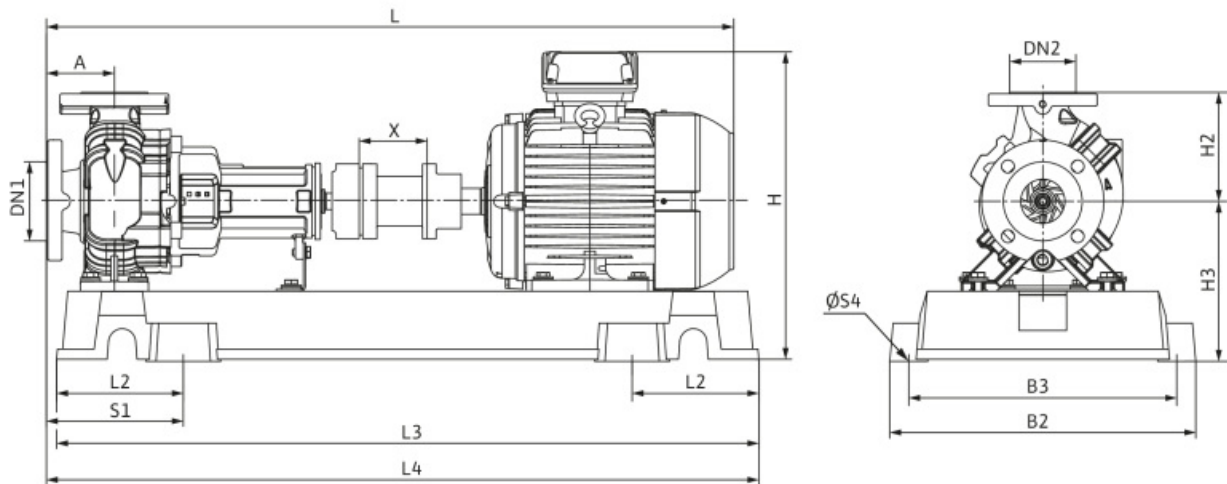
Dimensions

Glanded standard pump
Atmos GIGA-N 150/400-110/4

Project name Untitled project 2023-04-17 10:24:42.119

Project ID
Installation location
Customer pos. No.

Date 17.04.2023



Coupling with spacer

Suction side DN 200, PN 16
Discharge side DN 150, PN 16

Dimensions mm

Name	Value	Name	Value	Name	Value	Name	Value
A	160	L2	370	DN2	DN 150, PN 16		
B2	860	L3	2140				
B3	790	L4	2170				
H	968	S1	400				
H2	450	X	140				
H3	438	S4	29				
L	2104	DN1	DN 200, PN 16				

Customer

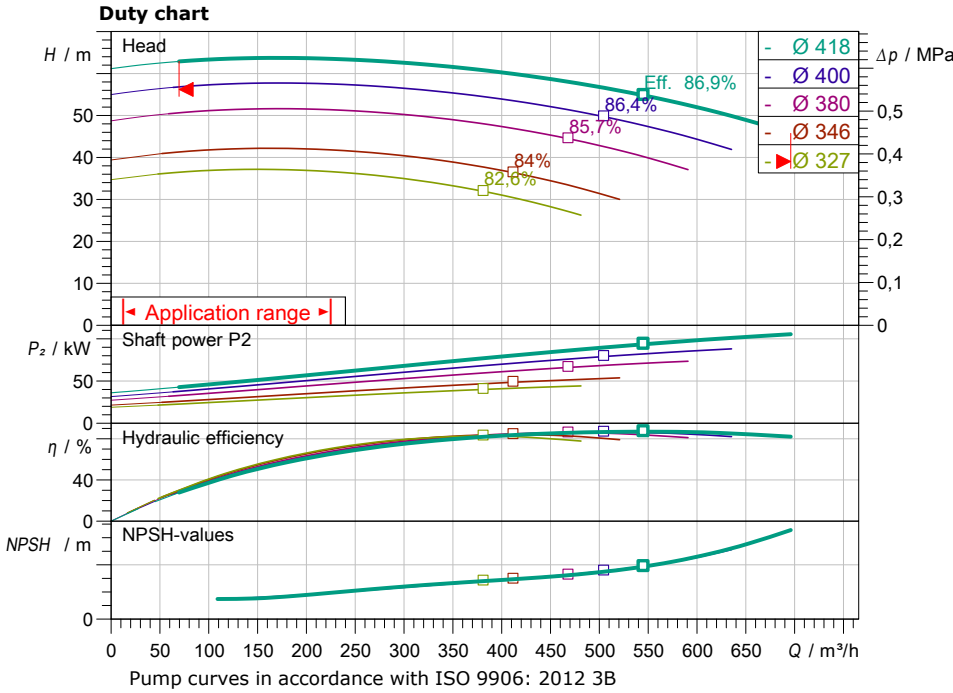
Technical data

Glanded standard pump Atmos GIGA-N 150/400-110/4

Project name: Untitled project 2023-04-17 10:24:42.119

Project ID
Installation location
Customer pos. No.

Date: 17.04.2023



Requested data

Flow
Head
Media: Water 100 %
Fluid temperature: 20,00 °C
Density: 998,30 kg/m³
Kin. viscosity: 1,00 mm²/s

Hydraulic data (Duty point)

Flow
Head
Shaft power P2
Hydraulic efficiency
NPSH
Impeller size: 418

Product data

Glanded standard pump
Atmos GIGA-N 150/400-110/4
Max. operating pressure: 1,6 MPa
Fluid temperature: -20 °C ... +140 °C
Max. ambient temperature: 40 °C
Minimum efficiency index (MEI): ≥ 0.4

Motordata per Motor/Pump

Motor efficiency level: IE3
Mains connection: 3~ 400 V / 50 Hz
Permitted voltage tolerance: +-10 %
Max. speed: 1485 1/min
Rated power P2: 110,00 kW
Rated current: 193,00 A
Power factor: 0,82
Efficiency: 50% / 75% / 100% → 95,3/95,6/95,6%
Degree of protection: IP55
Insulation class: F
Motor protection: PTC integrated

Fitting dimensions

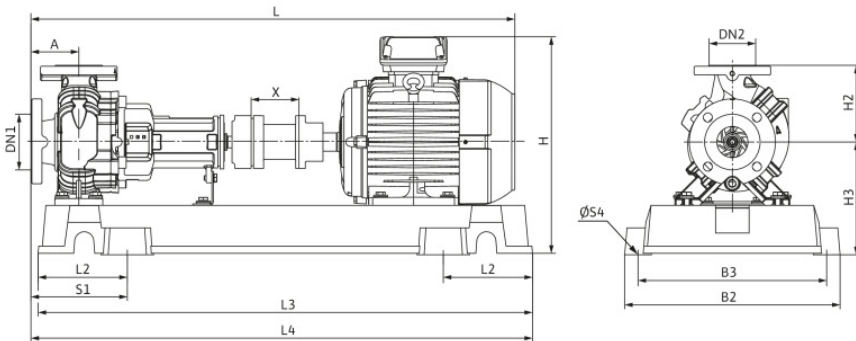
Pipe connection on the suction side: DN 200, PN 16
Pipe connection (pressure side): DN 150, PN 16
Port to Port

Materials

Pump housing: EN-GJS-400-18-LT
Impeller: EN-GJL-200
Lantern: 5.1301/EN-GJL-250
Shaft: 1.4021
Shaft seal: AQ1EGG

Information for order placements

Weight approx.: 1789 kg
Item number: 6086407



Dimensions

mm

A	160	H3	438	S1	400
B2	860	L	2104	X	140
B3	790	L2	370	S4	29
H	968	L3	2140	DN1	DN 200, PN 16
H2	450	L4	2170	DN2	DN 150, PN 16

Hydraulic data

Glanded standard pump
Atmos GIGA-N 150/400-110/4

Project name: Untitled project 2023-04-17 10:24:42.119

Project ID
Installation location
Customer pos. No.

Date: 17.04.2023

Operating data

Speed 1485 1/min	Frequency 50 Hz	Duty point Q =	H =	Suction port DN 200	Discharge port DN 150
----------------------------	---------------------------	--------------------------	------------	-------------------------------	---------------------------------

Power data referred to: Water; 20°C; 998,3kg/m³; 1,005mm²/s ±10% tolerance with linear U/f frequency control

