

Customer

Technical data

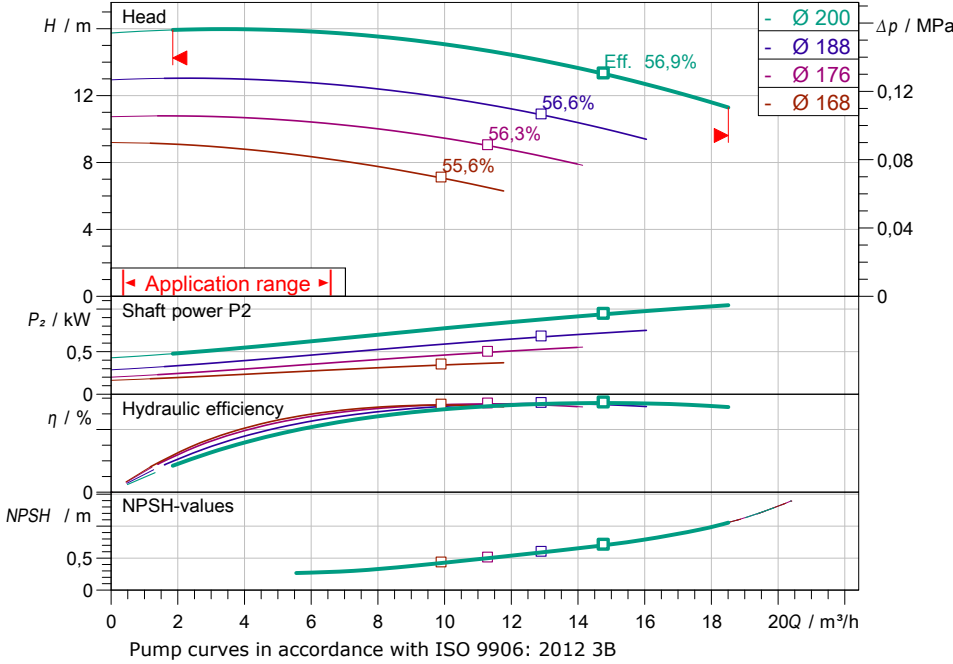
Glanded standard pump Atmos GIGA-N 32/200-1,1/4

Project name: Untitled project 2023-04-17 06:56:01.101

Project ID
Installation location
Customer pos. No.

Date: 17.04.2023

Duty chart



Requested data

Flow
Head
Media: Water 100 %
Fluid temperature: 20,00 °C
Density: 998,30 kg/m³
Kin. viscosity: 1,00 mm²/s

Hydraulic data (Duty point)

Flow
Head
Shaft power P2
Hydraulic efficiency
NPSH
Impeller size: 200

Product data

Glanded standard pump
Atmos GIGA-N 32/200-1,1/4
Max. operating pressure: 1,6 MPa
Fluid temperature: -20 °C ... +140 °C
Max. ambient temperature: 40 °C
Minimum efficiency index (MEI): ≥ 0.4

Motordata per Motor/Pump

Motor efficiency level: IE3
Mains connection: 3~ 400 V / 50 Hz
Permitted voltage tolerance: +-10 %
Max. speed: 1455 1/min
Rated power P2: 1,10 kW
Rated current: 2,35 A
Power factor: 0,72
Efficiency: 50% / 75% / 100% → 83/84,5/84,5%
Degree of protection: IP55
Insulation class: F
Motor protection: no

Fitting dimensions

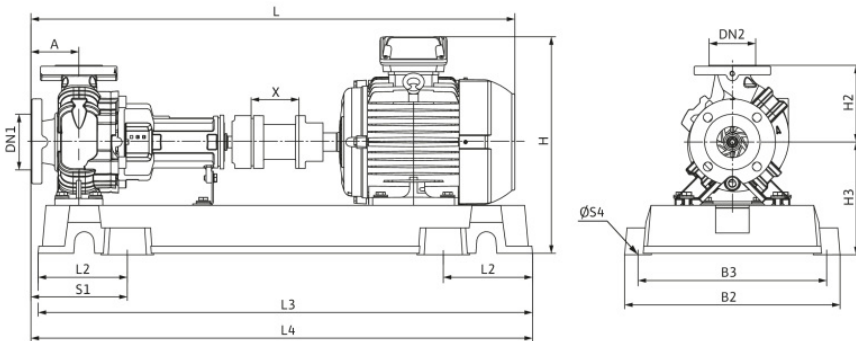
Pipe connection on the suction side: DN 50, PN 16
Pipe connection (pressure side): DN 32, PN 16
Port to Port

Materials

Pump housing: 5.1301, EN-GJL-250 cataphoretic-coated
Impeller: EN-GJL-200
Lantern: 5.1301/EN-GJL-250
Shaft: 1.4021
Shaft seal: AQ1EGG

Information for order placements

Weight approx.: 120 kg
Item number: 6086562



Dimensions

mm

DN1	DN 50, PN 16	400	L3	930
DN2	DN 32, PN 16	180	L4	935
A	80	H3	S1	170
B2	390	L	S4	19
B3	350	L2	X	100

Hydraulic data

Glanded standard pump
Atmos GIGA-N 32/200-1,1/4

Project name: Untitled project 2023-04-17 06:56:01.101

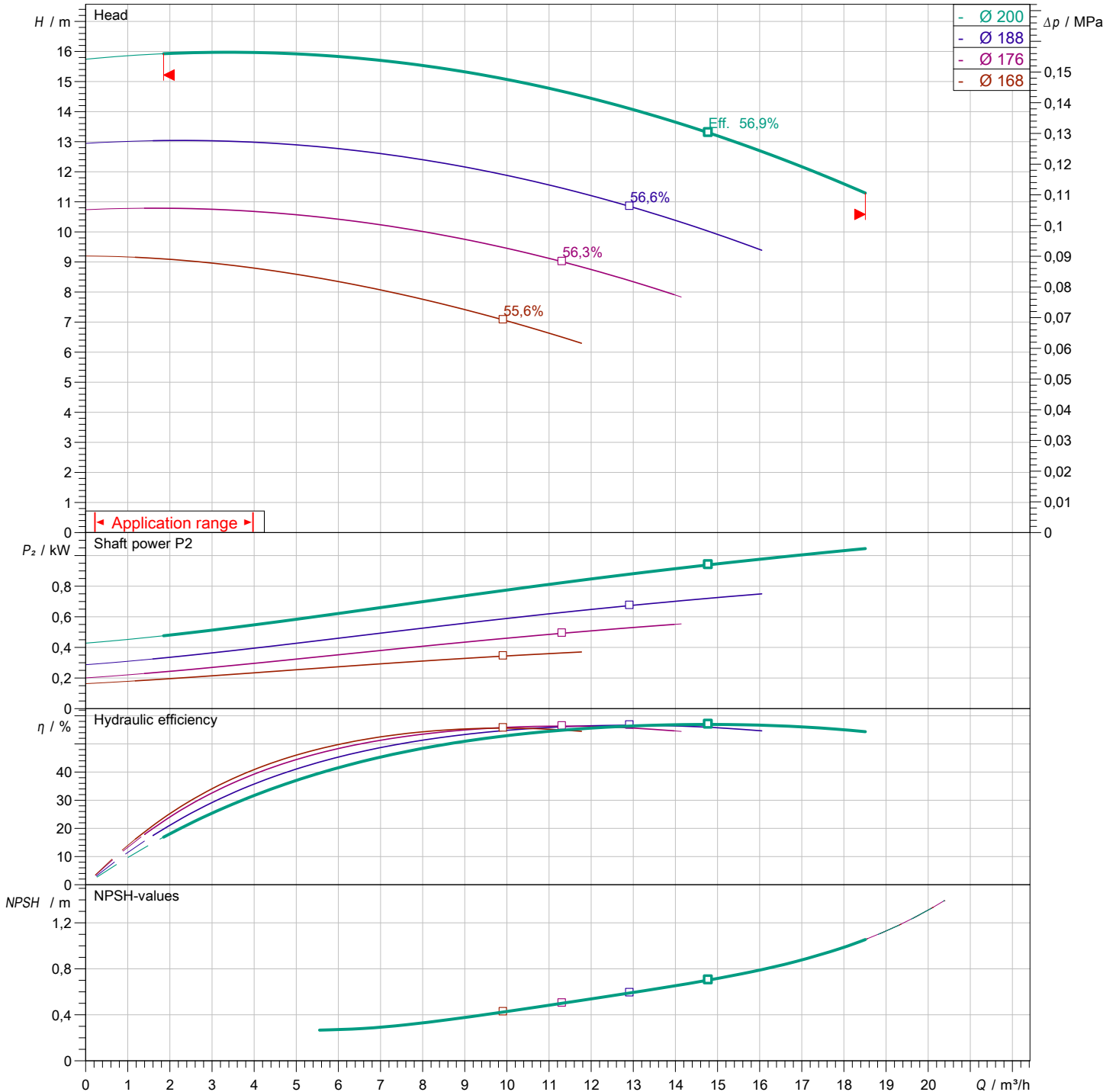
Project ID
Installation location
Customer pos. No.

Date: 17.04.2023

Operating data

Speed 1442 1/min	Frequency 50 Hz	Duty point Q =	H =	Suction port DN 50	Discharge port DN 32
----------------------------	---------------------------	--------------------------	------------	------------------------------	--------------------------------

Power data referred to: Water; 20°C; 998,3kg/m³; 1,005mm²/s ±10% tolerance with linear U/f frequency control



Contact
E-mail
Phone

Customer

Contact
E-mail
Phone

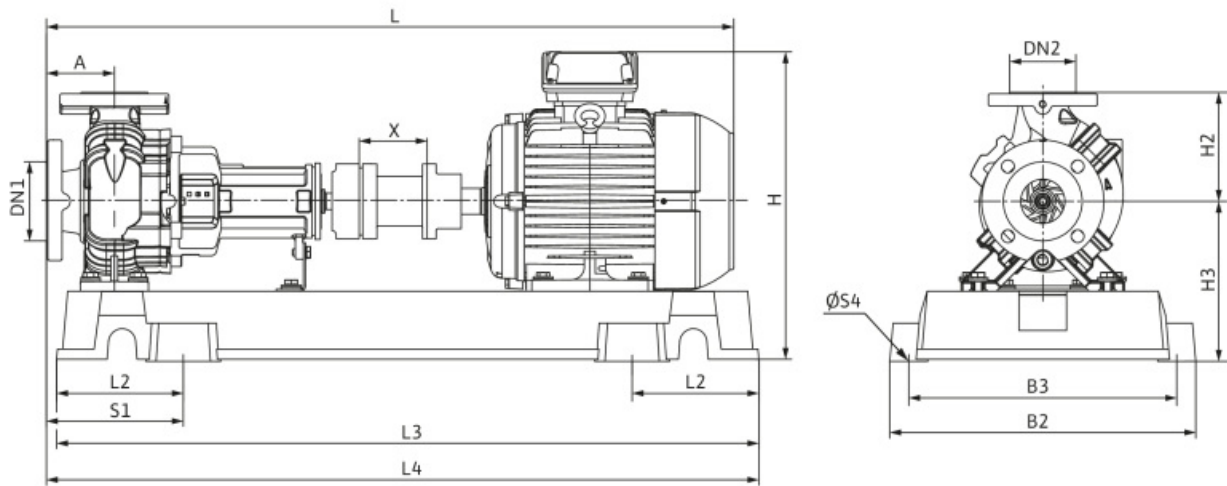
Dimensions

Glanded standard pump
Atmos GIGA-N 32/200-1,1/4

Project name Untitled project 2023-04-17 06:56:01.101

Project ID
Installation location
Customer pos. No.

Date 17.04.2023



Coupling with spacer

Suction side DN 50, PN 16
Discharge side DN 32, PN 16

Dimensions mm

Name	Value	Name	Value	Name	Value	Name	Value
DN1	DN 50, PN 16	H3	243	X	100		
DN2	DN 32, PN 16	L	844				
A	80	L2	165				
B2	390	L3	930				
B3	350	L4	935				
H	400	S1	170				
H2	180	S4	19				