

Customer

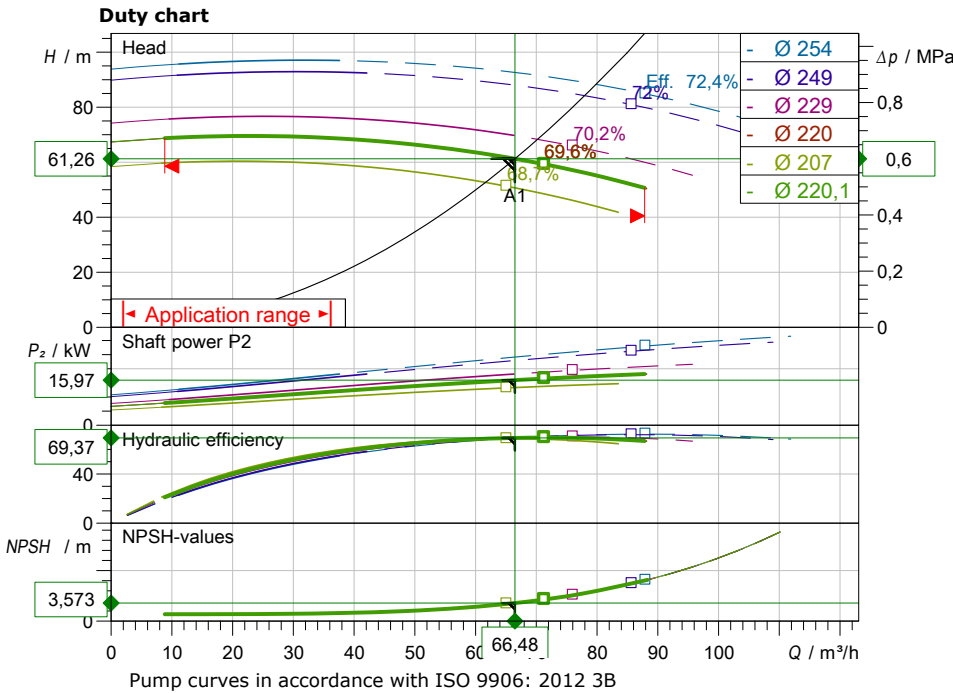
Technical data

Glanded standard pump Atmos GIGA-N 50/250-18,5/2

Project name: Untitled project 2023-04-18 07:14:44.687

Project ID
Installation location
Customer pos. No.

Date: 18.04.2023



Requested data

Flow	66,48 m ³ /h
Head	61,26 m
Media	Water 100 %
Fluid temperature	20,00 °C
Density	998,30 kg/m ³
Kin. viscosity	1,00 mm ² /s

Hydraulic data (Duty point)

Flow	66,48 m ³ /h
Head	61,26 m
Shaft power P2	15,97 kW
Hydraulic efficiency	69,37 %
NPSH	3,57 m
Impeller size	220,1

Product data

Glanded standard pump	
Atmos GIGA-N 50/250-18,5/2	
Max. operating pressure	1,6 MPa
Fluid temperature	-20 °C ... +140 °C
Max. ambient temperature	40 °C
Minimum efficiency index (MEI)	≥ 0.4

Motordata per Motor/Pump

Motor efficiency level	IE3
Mains connection	3~ 400 V / 50 Hz
Permitted voltage tolerance	+/-10 %
Max. speed	2945 1/min
Rated power P2	18,50 kW
Rated current	33,90 A
Power factor	0,8
Efficiency	50% / 75% / 100%
Degree of protection	IP55
Insulation class	F
Motor protection	PTC integrated

Fitting dimensions

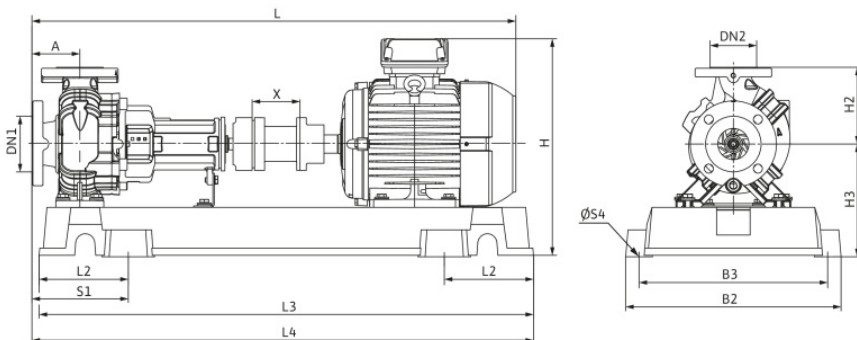
Pipe connection on the suction side	DN 65, PN 16
Pipe connection (pressure side)	DN 50, PN 16
Port to Port	

Materials

Pump housing	5.1301/EN-GJL-250
Impeller	EN-GJL-200
Lantern	5.1301/EN-GJL-250
Shaft	1.4021
Shaft seal	AQ1EGG

Information for order placements

Weight approx.	296 kg
Item number	6086491



Dimensions

mm

DN1	DN 65, PN 16	547	L3	1150	
DN2	DN 50, PN 16	225	L4	1160	
A	100	H3	283	S1	215
B2	490	L	1202	S4	24
B3	440	L2	205	X	100



Contact
E-mail
Phone

Customer

Contact
E-mail
Phone

Hydraulic data

Glanded standard pump
Atmos GIGA-N 50/250-18,5/2

Project name: Untitled project 2023-04-18 07:14:44.687

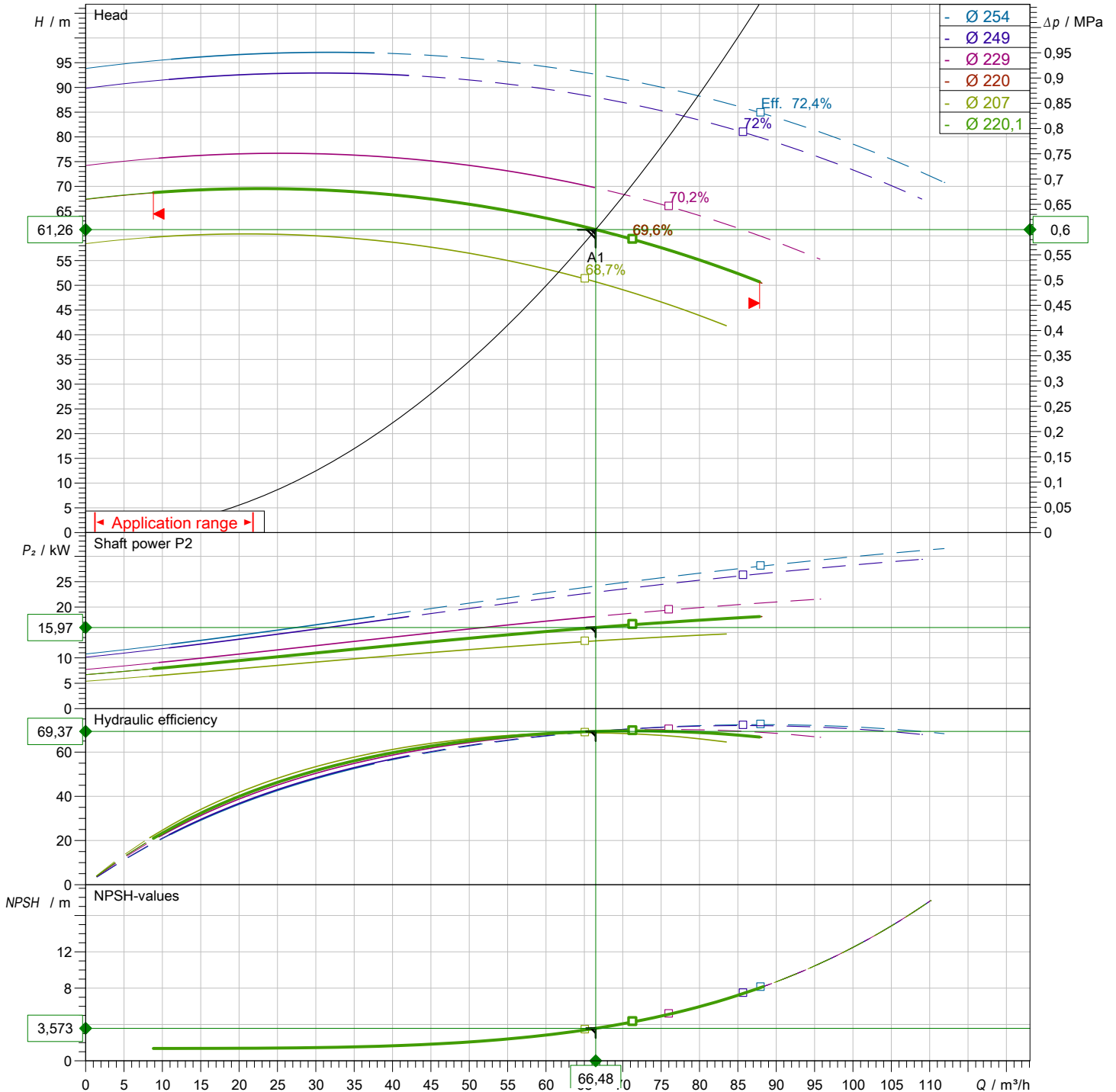
Project ID
Installation location
Customer pos. No.

Date: 18.04.2023

Operating data

Speed 2955 1/min	Frequency 50 Hz	Duty point Q = 66,48 m³/h	H = 61,26 m	Suction port DN 65	Discharge port DN 50
----------------------------	---------------------------	--	--------------------	------------------------------	--------------------------------

Power data referred to: Water; 20°C; 998,3kg/m³; 1,005mm²/s ±10% tolerance with linear U/f frequency control



Contact
E-mail
Phone

Customer

Contact
E-mail
Phone

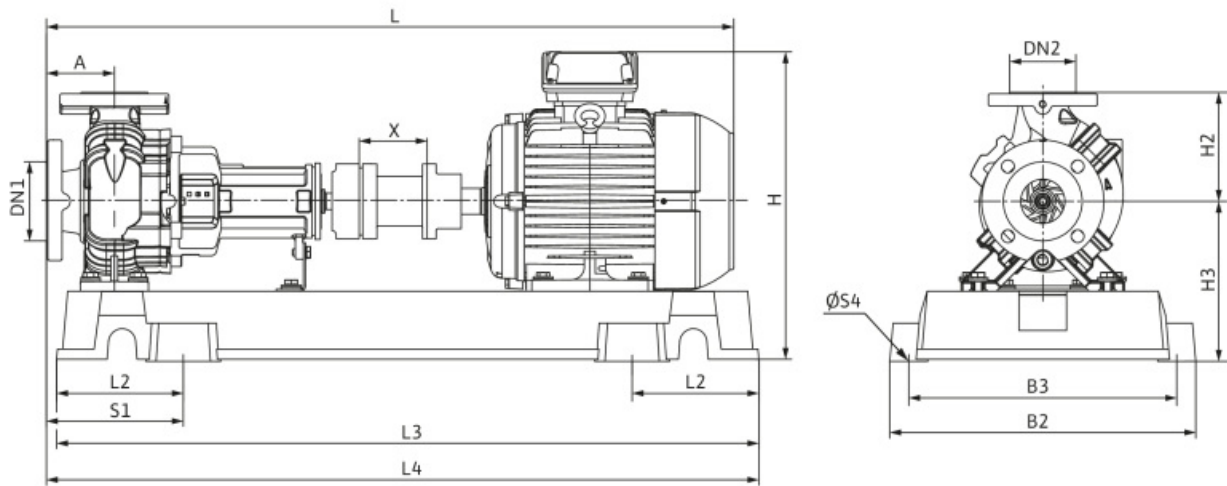
Dimensions

Glanded standard pump
Atmos GIGA-N 50/250-18,5/2

Project name Untitled project 2023-04-18 07:14:44.687

Project ID
Installation location
Customer pos. No.

Date 18.04.2023



Coupling with spacer

Suction side DN 65, PN 16
Discharge side DN 50, PN 16

Dimensions mm

Name	Value	Name	Value	Name	Value	Name	Value
DN1	DN 65, PN 16	H3	283	X	100		
DN2	DN 50, PN 16	L	1202				
A	100	L2	205				
B2	490	L3	1150				
B3	440	L4	1160				
H	547	S1	215				
H2	225	S4	24				