

Customer

Technical data

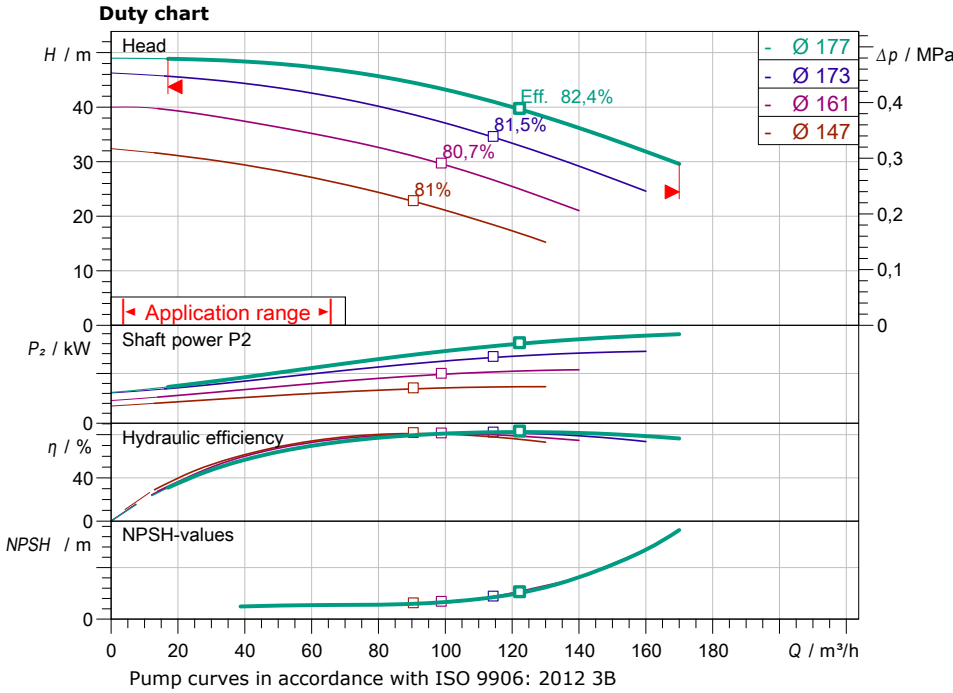
Glanded standard pump

Atmos GIGA-N 65/160-18,5/2-IE4

Project name: Untitled project 2023-04-17 06:56:01.101

Project ID
Installation location
Customer pos. No.

Date: 17.04.2023



Requested data

Flow
Head
Media: Water 100 %
Fluid temperature: 20,00 °C
Density: 998,30 kg/m³
Kin. viscosity: 1,00 mm²/s

Hydraulic data (Duty point)

Flow
Head
Shaft power P2
Hydraulic efficiency
NPSH
Impeller size: 177

Product data

Glanded standard pump
Atmos GIGA-N 65/160-18,5/2-IE4
Max. operating pressure: 1,6 MPa
Fluid temperature: -20 °C ... +140 °C
Max. ambient temperature: 40 °C
Minimum efficiency index (MEI): ≥ 0.4

Motordata per Motor/Pump

Motor efficiency level: IE4
Mains connection: 3~ 400 V / 50 Hz
Permitted voltage tolerance: +-10 %
Max. speed: 2950 1/min
Rated power P2: 18,50 kW
Rated current: 32,80 A
Power factor: 0,87
Efficiency: 50% / 75% / 100% → 92,8/93,4/93,7%
Degree of protection: IP55
Insulation class: F
Motor protection: PTC integrated

Fitting dimensions

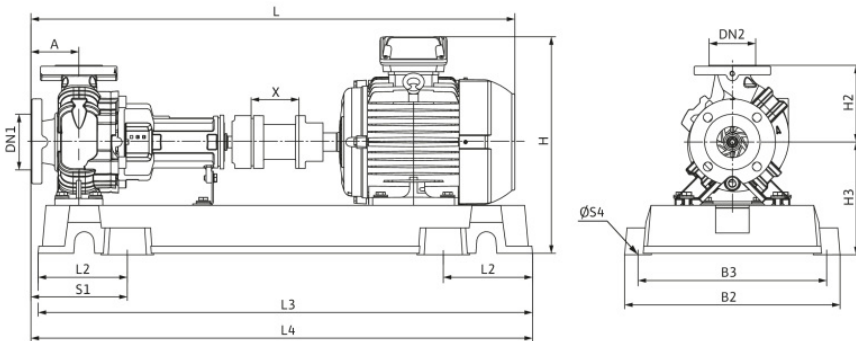
Pipe connection on the suction side: DN 80, PN 16
Pipe connection (pressure side): DN 65, PN 16
Port to Port

Materials

Pump housing: 5.1301/EN-GJL-250
Impeller: EN-GJL-200
Lantern: 5.1301/EN-GJL-250
Shaft: 1.4021
Shaft seal: AQ1EGG

Information for order placements

Weight approx.: 290,2 kg
Item number



Dimensions

mm

| | | | | |
|-----|--------------|-----|----|------|
| DN1 | DN 80, PN 16 | 529 | L3 | 1150 |
| DN2 | DN 65, PN 16 | 200 | L4 | 1160 |
| A | 100 | H3 | S1 | 215 |
| B2 | 490 | L | S4 | 24 |
| B3 | 440 | L2 | X | 100 |

Hydraulic data

Glanded standard pump

Atmos GIGA-N 65/160-18,5/2-IE4

Project name: Untitled project 2023-04-17 06:56:01.101

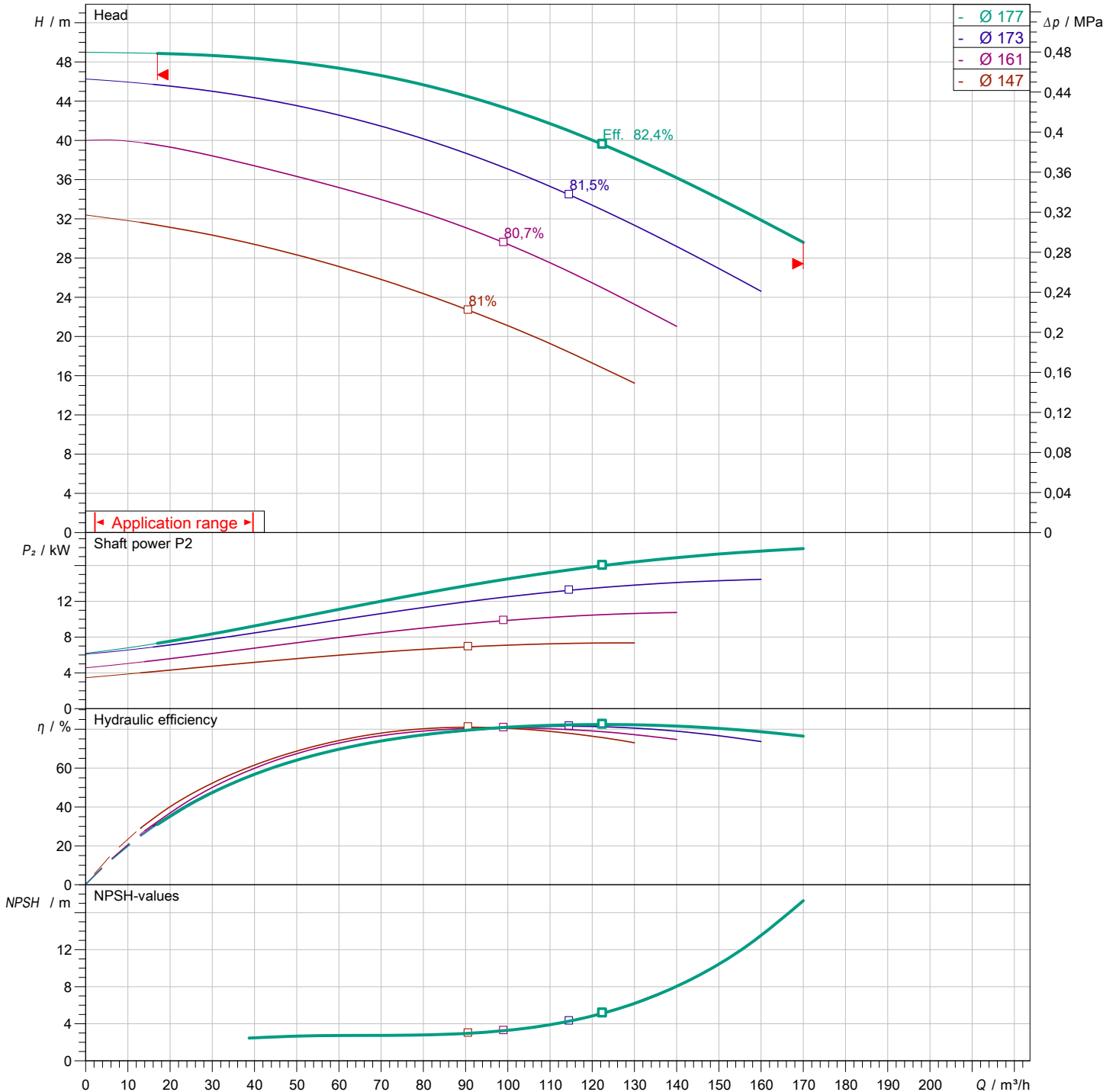
Project ID
Installation location
Customer pos. No.

Date: 17.04.2023

Operating data

| | | | | | |
|----------------------------|---------------------------|--------------------------|------------|------------------------------|--------------------------------|
| Speed 2955 1/min | Frequency 50 Hz | Duty point Q = | H = | Suction port DN 80 | Discharge port DN 65 |
|----------------------------|---------------------------|--------------------------|------------|------------------------------|--------------------------------|

Power data referred to: Water; 20°C; 998,3kg/m³; 1,005mm²/s ±10% tolerance with linear U/f frequency control



Contact
E-mail
Phone

Customer

Contact
E-mail
Phone

Dimensions

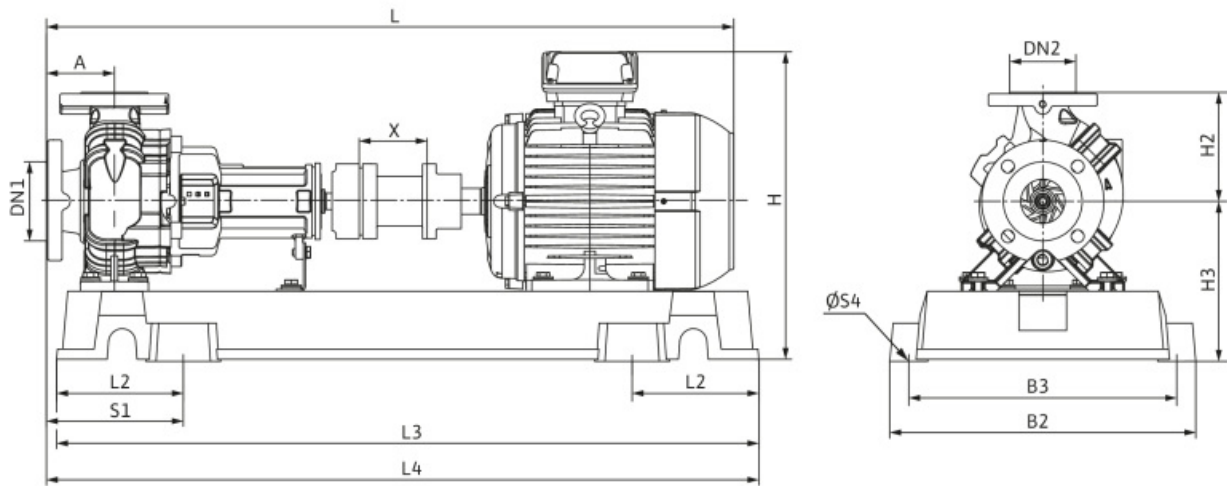
Glanded standard pump

Atmos GIGA-N 65/160-18,5/2-IE4

Project name Untitled project 2023-04-17 06:56:01.101

Project ID
Installation location
Customer pos. No.

Date 17.04.2023



Coupling with spacer

Suction side DN 80, PN 16
Discharge side DN 65, PN 16

Dimensions mm

| Name | Value | Name | Value | Name | Value | Name | Value |
|------|--------------|------|-------|------|-------|------|-------|
| DN1 | DN 80, PN 16 | H3 | 263 | X | 100 | | |
| DN2 | DN 65, PN 16 | L | 1202 | | | | |
| A | 100 | L2 | 205 | | | | |
| B2 | 490 | L3 | 1150 | | | | |
| B3 | 440 | L4 | 1160 | | | | |
| H | 529 | S1 | 215 | | | | |
| H2 | 200 | S4 | 24 | | | | |