

**Customer**

## Technical data

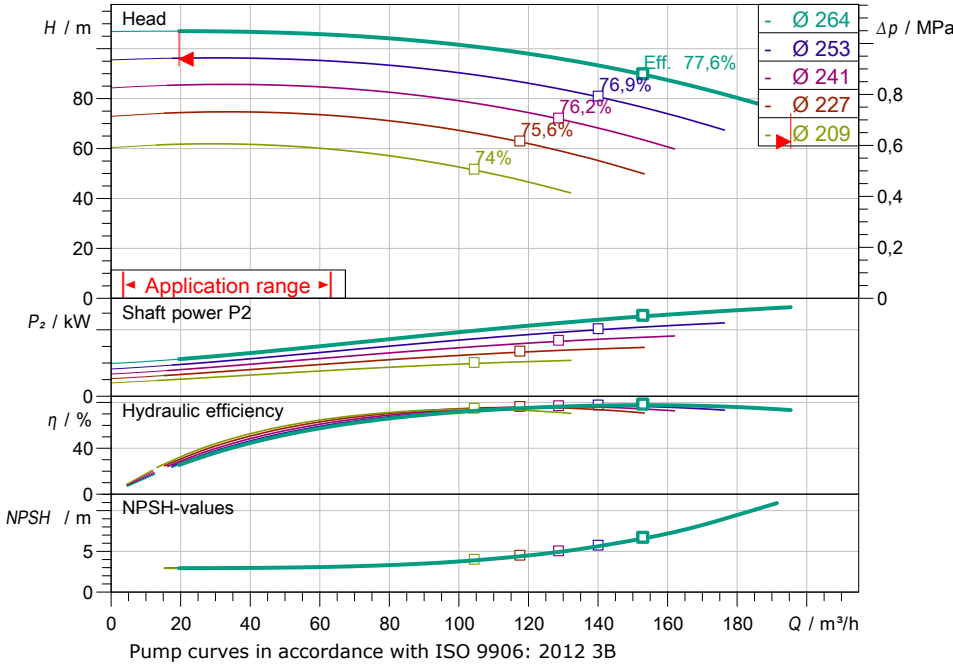
### Glanded standard pump Atmos GIGA-N 65/250-55/2

Project name Untitled project 2023-04-17 06:56:01.101

Project ID  
Installation location  
Customer pos. No.

Date 17.04.2023

#### Duty chart



#### Requested data

Flow  
Head  
Media Water 100 %  
Fluid temperature 20,00 °C  
Density 998,30 kg/m<sup>3</sup>  
Kin. viscosity 1,00 mm<sup>2</sup>/s

#### Hydraulic data (Duty point)

Flow  
Head  
Shaft power P2  
Hydraulic efficiency  
NPSH  
Impeller size 264

#### Product data

Glanded standard pump  
Atmos GIGA-N 65/250-55/2  
Max. operating pressure 1,6 MPa  
Fluid temperature -20 °C ... +140 °C  
Max. ambient temperature 40 °C  
Minimum efficiency index (MEI) ≥ 0.4

#### Motordata per Motor/Pump

Motor efficiency level IE3  
Mains connection 3~ 400 V / 50 Hz  
Permitted voltage tolerance +-10 %  
Max. speed 2960 1/min  
Rated power P2 55,00 kW  
Rated current 95,60 A  
Power factor 0,85  
Efficiency 50% / 75% / 100% 93,6/94,4/94,4%  
Degree of protection IP55  
Insulation class F  
Motor protection PTC integrated

#### Fitting dimensions

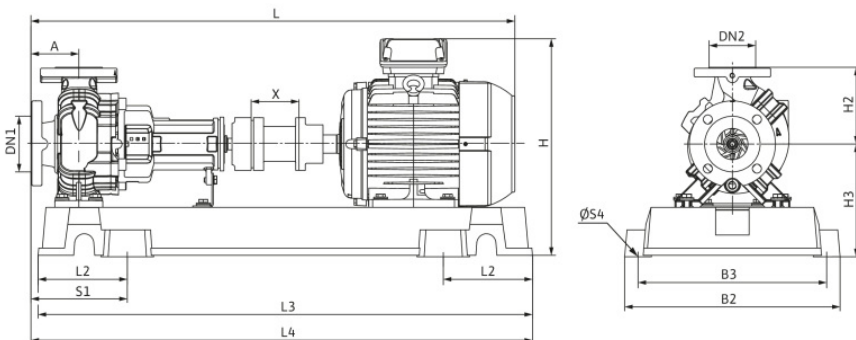
Pipe connection on the suction side DN 80, PN 16  
Pipe connection (pressure side) DN 65, PN 16  
Port to Port

#### Materials

Pump housing 5.1301/EN-GJL-250  
Impeller EN-GJL-200  
Lantern 5.1301/EN-GJL-250  
Shaft 1.4021  
Shaft seal AQ1EGG

#### Information for order placements

Weight approx. 832 kg  
Item number 6086466



#### Dimensions

mm

DN1	DN 80, PN 16	775	L3	1640
DN2	DN 65, PN 16	250	L4	1630
A	100	H3	S1	280
B2	660	L	S4	29
B3	600	L2	X	140

**Customer**

## Hydraulic data

Glanded standard pump  
Atmos GIGA-N 65/250-55/2

Project name: Untitled project 2023-04-17 06:56:01.101

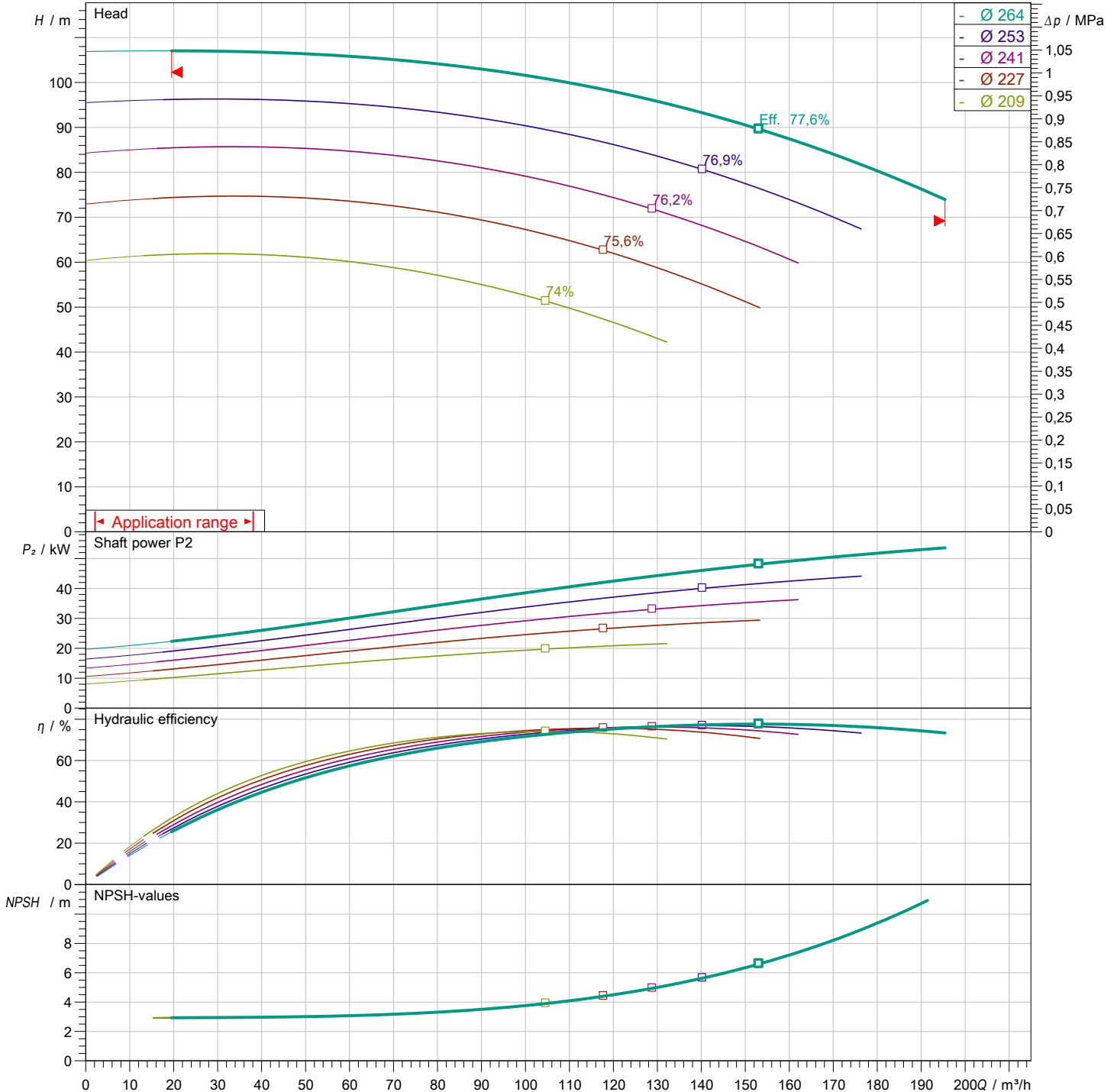
Project ID  
Installation location  
Customer pos. No.

Date: 17.04.2023

### Operating data

Speed <b>2955 1/min</b>	Frequency <b>50 Hz</b>	Duty point <b>Q =</b>	<b>H =</b>	Suction port <b>DN 80</b>	Discharge port <b>DN 65</b>
----------------------------	---------------------------	--------------------------	------------	------------------------------	--------------------------------

Power data referred to: Water; 20°C; 998,3kg/m<sup>3</sup>; 1,005mm<sup>2</sup>/s ±10% tolerance with linear U/f frequency control



Contact  
E-mail  
Phone

**Customer**

Contact  
E-mail  
Phone

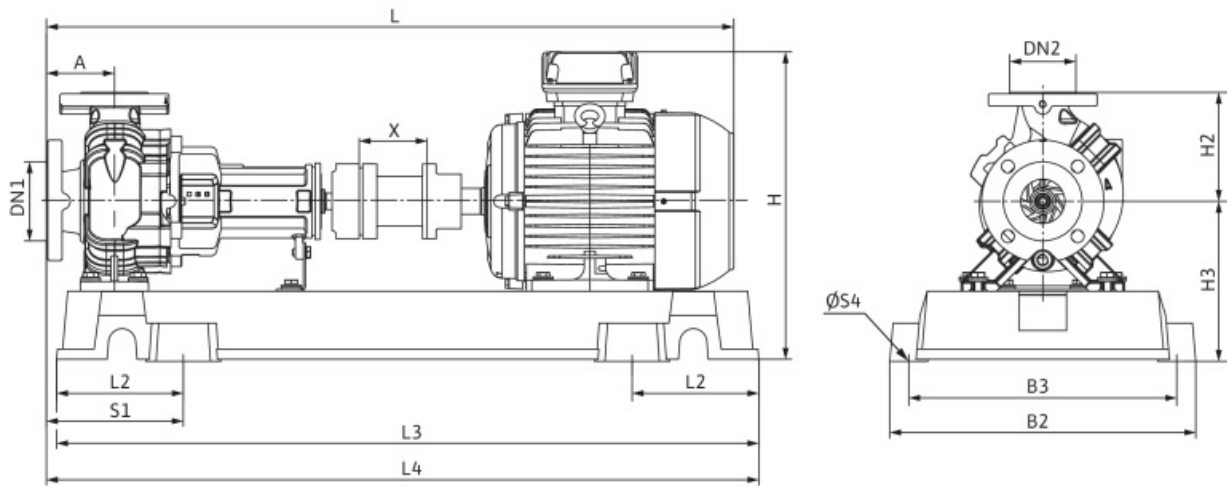
## Dimensions

Glanded standard pump  
Atmos GIGA-N 65/250-55/2

Project name                      Untitled project 2023-04-17 06:56:01.101

Project ID  
Installation location  
Customer pos. No.

Date                      17.04.2023



Coupling with spacer

Suction side                      DN 80, PN 16  
Discharge side                      DN 65, PN 16

**Dimensions**                      mm

Name	Value	Name	Value	Name	Value	Name	Value
DN1	DN 80, PN 16	H3	373	X	140		
DN2	DN 65, PN 16	L	1675				
A	100	L2	290				
B2	660	L3	1640				
B3	600	L4	1630				
H	775	S1	280				
H2	250	S4	29				