

Customer

Technical data

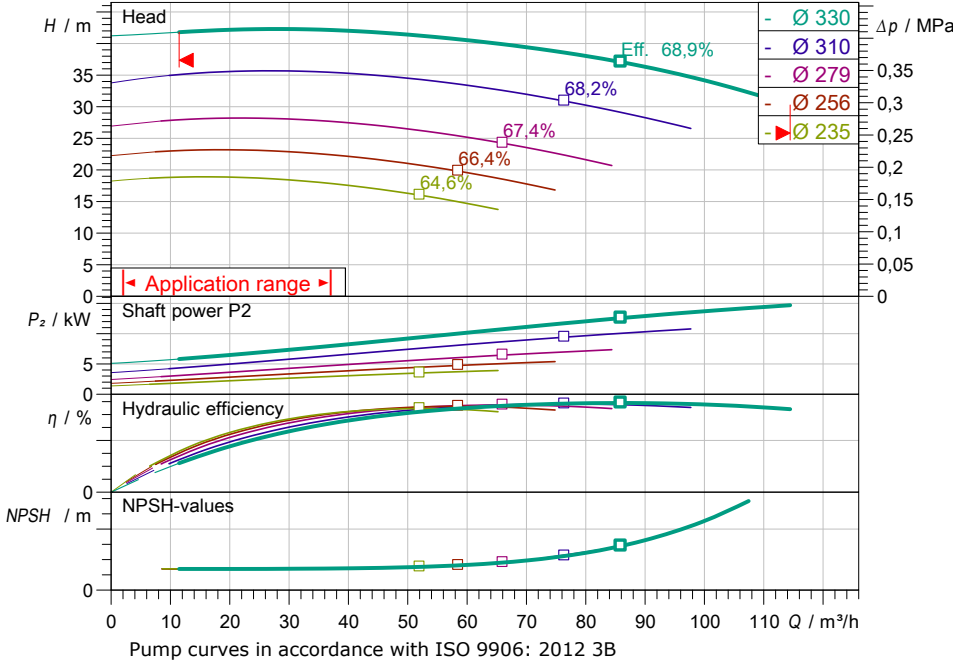
Glanded standard pump Atmos GIGA-N 65/315-15/4

Project name Untitled project 2023-04-17 06:56:01.101

Project ID
Installation location
Customer pos. No.

Date 17.04.2023

Duty chart



Requested data

Flow
Head
Media Water 100 %
Fluid temperature 20,00 °C
Density 998,30 kg/m³
Kin. viscosity 1,00 mm²/s

Hydraulic data (Duty point)

Flow
Head
Shaft power P2
Hydraulic efficiency
NPSH
Impeller size 330

Product data

Glanded standard pump
Atmos GIGA-N 65/315-15/4
Max. operating pressure 1,6 MPa
Fluid temperature -20 °C ... +140 °C
Max. ambient temperature 40 °C
Minimum efficiency index (MEI) ≥ 0.4

Motordata per Motor/Pump

Motor efficiency level IE3
Mains connection 3~ 400 V / 50 Hz
Permitted voltage tolerance +/-10 %
Max. speed 1465 1/min
Rated power P2 15,00 kW
Rated current 27,90 A
Power factor 0,78
Efficiency 50% / 75% / 100% 92,2/92,5/92,3%
Degree of protection IP55
Insulation class F
Motor protection PTC integrated

Fitting dimensions

Pipe connection on the suction side DN 80, PN 16
Pipe connection (pressure side) DN 65, PN 16
Port to Port

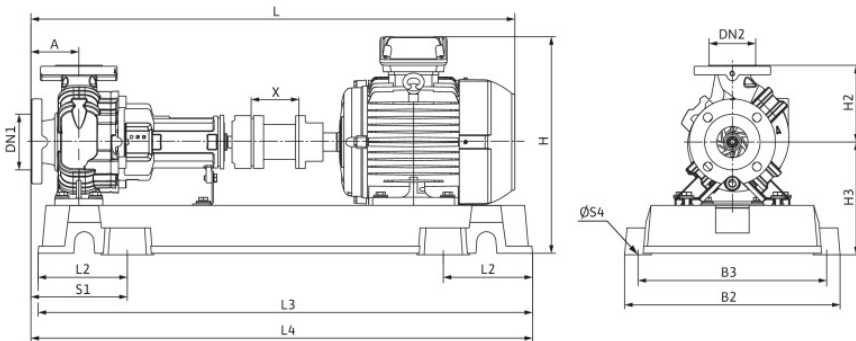
Materials

Pump housing 5.1301/EN-GJL-250

Impeller EN-GJL-200
Lantern 5.1301/EN-GJL-250
Shaft 1.4021
Shaft seal AQ1EGG

Information for order placements

Weight approx. 421 kg
Item number 6086448



Dimensions

mm

DN1	DN 80, PN 16	592	L3	1440
DN2	DN 65, PN 16	280	L4	1455
A	125	H3	S1	265
B2	610	L	S4	29
B3	550	L2	X	140

Hydraulic data

Glanded standard pump
Atmos GIGA-N 65/315-15/4

Project name: Untitled project 2023-04-17 06:56:01.101

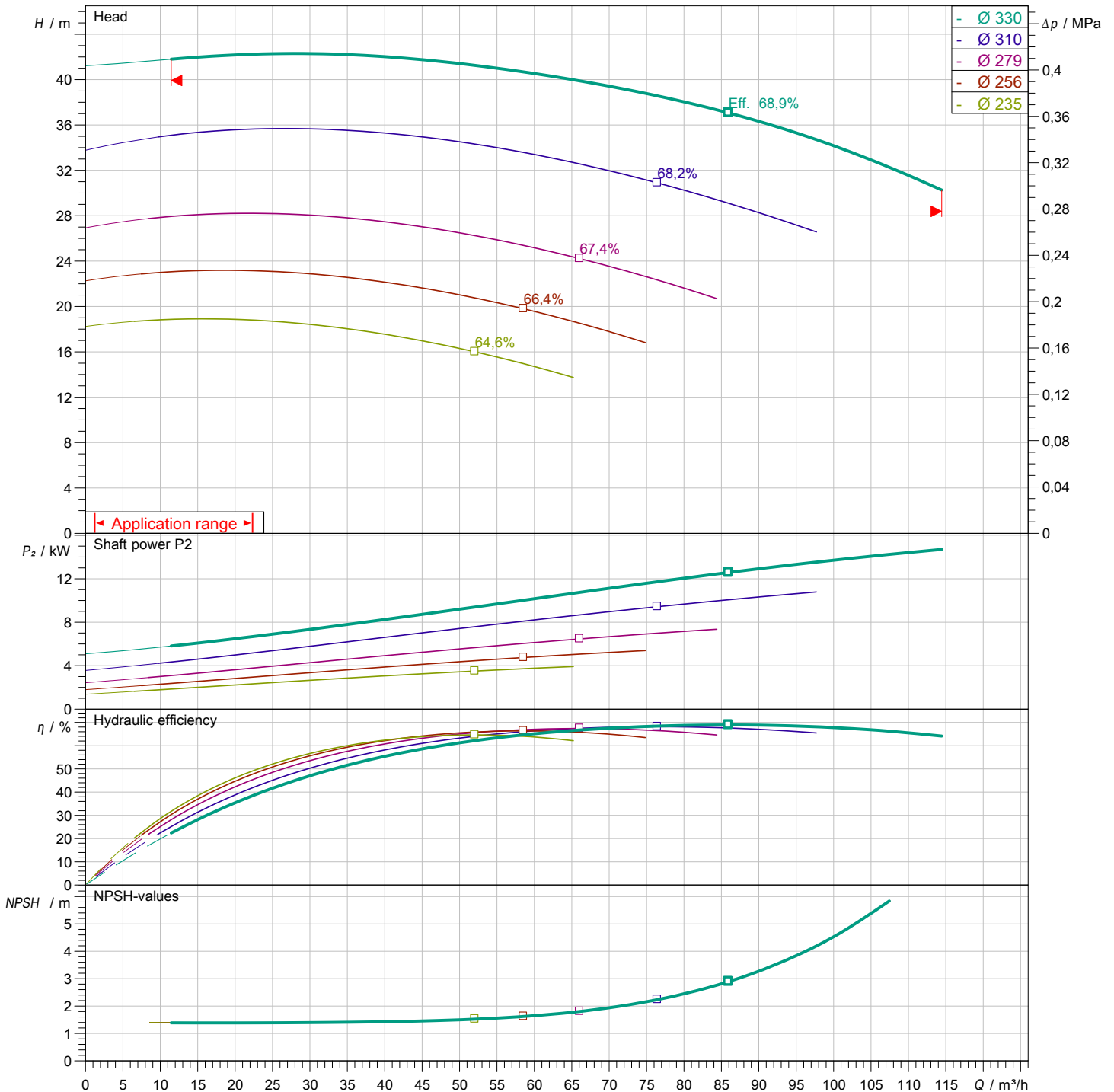
Project ID
Installation location
Customer pos. No.

Date: 17.04.2023

Operating data

Speed 1467 1/min	Frequency 50 Hz	Duty point Q =	H =	Suction port DN 80	Discharge port DN 65
----------------------------	---------------------------	--------------------------	------------	------------------------------	--------------------------------

Power data referred to: Water; 20°C; 998,3kg/m³; 1,005mm²/s ±10% tolerance with linear U/f frequency control



Contact
E-mail
Phone

Customer

Contact
E-mail
Phone

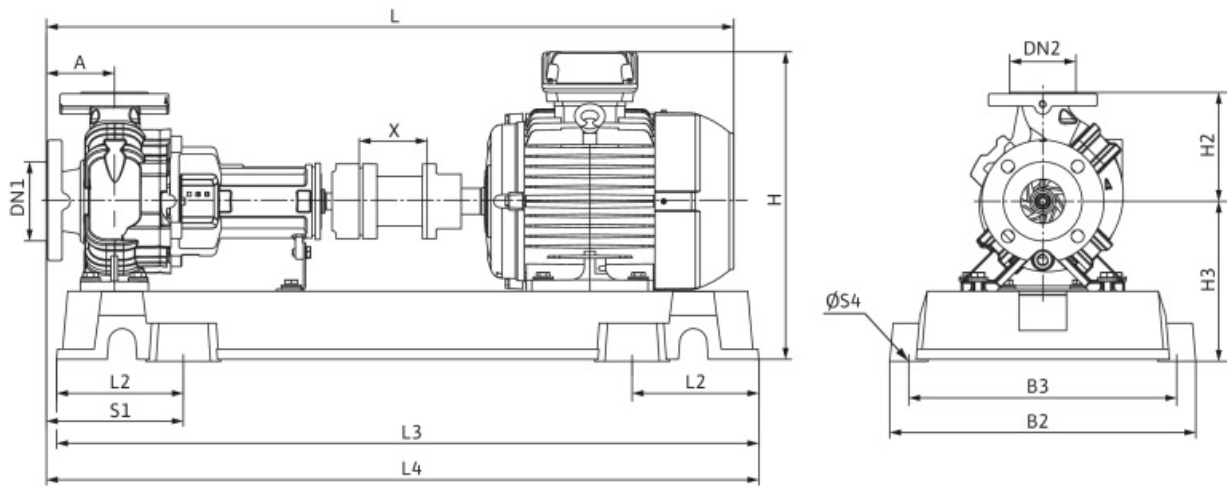
Dimensions

Glanded standard pump
Atmos GIGA-N 65/315-15/4

Project name Untitled project 2023-04-17 06:56:01.101

Project ID
Installation location
Customer pos. No.

Date 17.04.2023



Coupling with spacer

Suction side DN 80, PN 16
Discharge side DN 65, PN 16

Dimensions mm

Name	Value	Name	Value	Name	Value	Name	Value
DN1	DN 80, PN 16	H3	328	X	140		
DN2	DN 65, PN 16	L	1377				
A	125	L2	250				
B2	610	L3	1440				
B3	550	L4	1455				
H	592	S1	265				
H2	280	S4	29				