

Customer

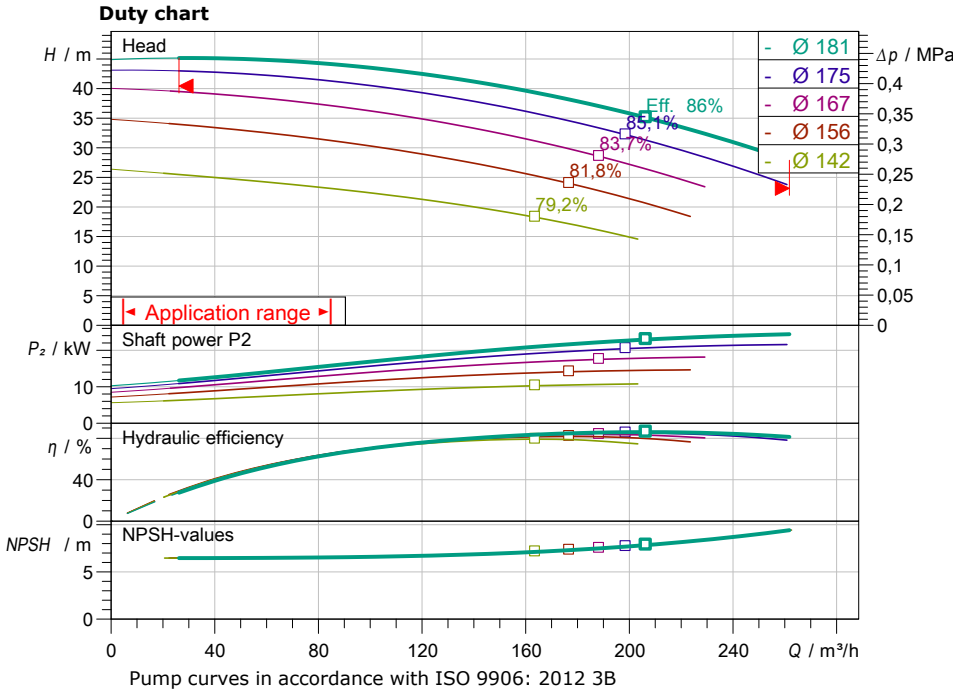
Technical data

Glanded standard pump Atmos GIGA-N 80/160-30/2

Project name: Untitled project 2023-04-17 06:56:01.101

Project ID
Installation location
Customer pos. No.

Date: 17.04.2023



Requested data

Flow
Head
Media
Fluid temperature: 20,00 °C
Density: 998,30 kg/m³
Kin. viscosity: 1,00 mm²/s

Hydraulic data (Duty point)

Flow
Head
Shaft power P2
Hydraulic efficiency
NPSH
Impeller size: 181

Product data

Glanded standard pump
Atmos GIGA-N 80/160-30/2
Max. operating pressure: 1,6 MPa
Fluid temperature: -20 °C ... +140 °C
Max. ambient temperature: 40 °C
Minimum efficiency index (MEI): ≥ 0.4

Motordata per Motor/Pump

Motor efficiency level: IE3
Mains connection: 3~ 400 V / 50 Hz
Permitted voltage tolerance: + -10 %
Max. speed: 2960 1/min
Rated power P2: 30,00 kW
Rated current: 54,50 A
Power factor: 0,8
Efficiency: 50% / 75% / 100%: 92,2/93,2/93,5%
Degree of protection: IP55
Insulation class: F
Motor protection: PTC integrated

Fitting dimensions

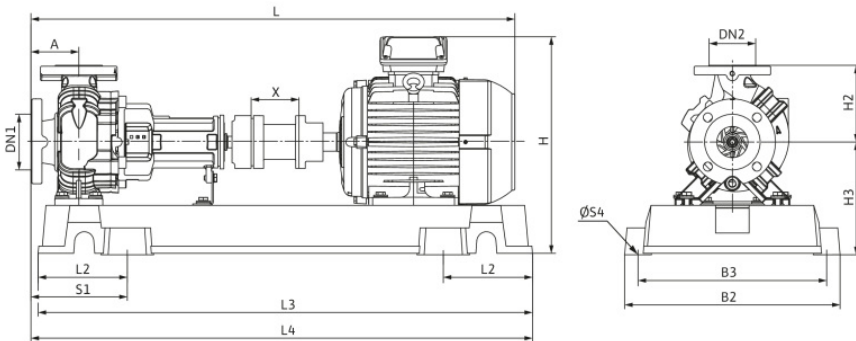
Pipe connection on the suction side: DN 100, PN 16
Pipe connection (pressure side): DN 80, PN 16
Port to Port

Materials

Pump housing: 5.1301/EN-GJL-250
Impeller: EN-GJL-200
Lantern: 5.1301/EN-GJL-250
Shaft: 1.4021
Shaft seal: AQ1EGG

Information for order placements

Weight approx.: 448 kg
Item number: 6086371



Dimensions

mm

DN1	DN 100, PN16	620	L3	1290
DN2	DN 80, PN 16	225	L4	1320
A	125	H3	S1	255
B2	540	L	S4	24
B3	490	L2	X	140

Hydraulic data

Glanded standard pump
Atmos GIGA-N 80/160-30/2

Project name: Untitled project 2023-04-17 06:56:01.101

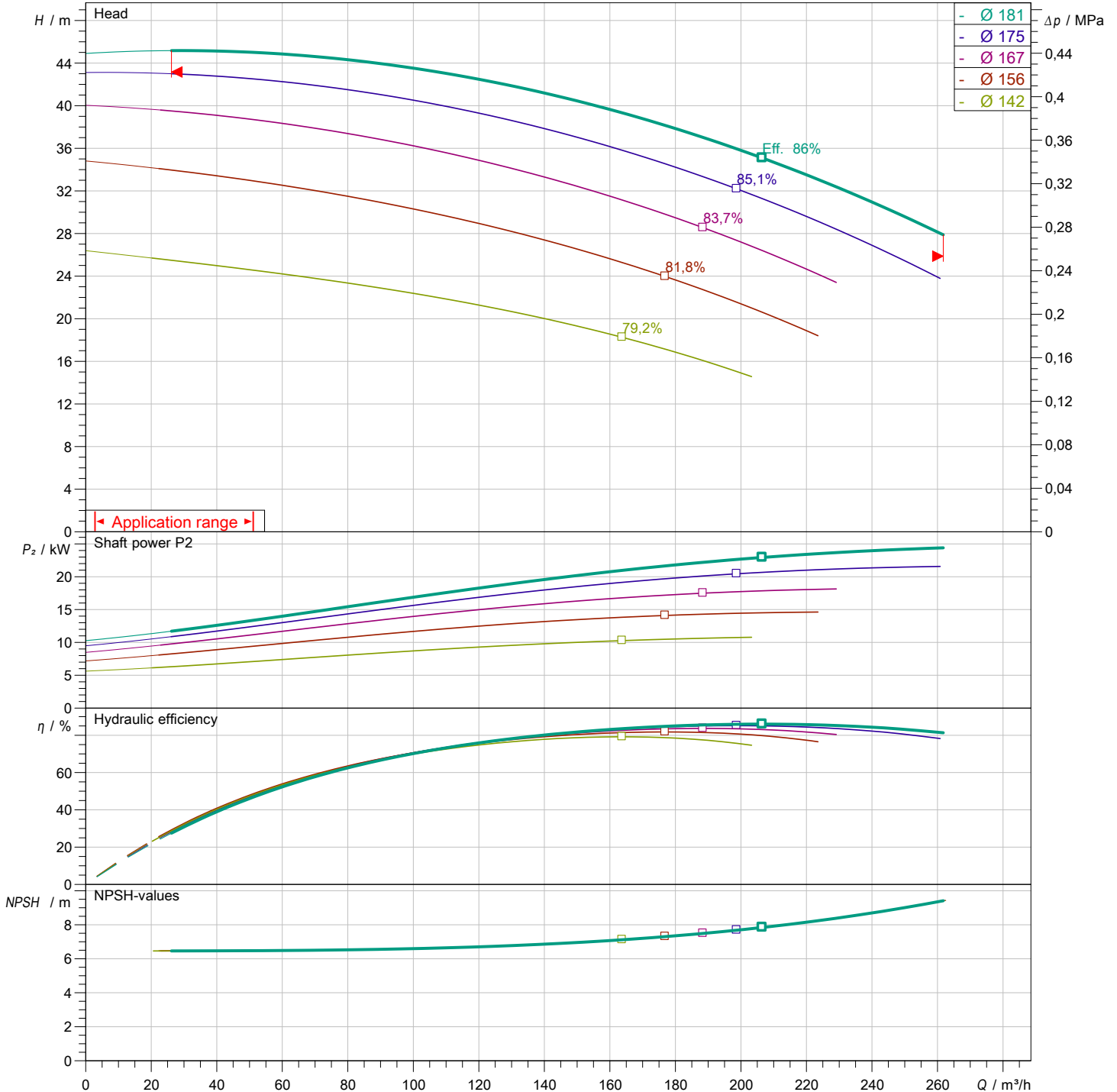
Project ID
Installation location
Customer pos. No.

Date: 17.04.2023

Operating data

Speed 2965 1/min	Frequency 50 Hz	Duty point Q =	H =	Suction port DN 100	Discharge port DN 80
----------------------------	---------------------------	--------------------------	------------	-------------------------------	--------------------------------

Power data referred to: Water; 20°C; 998,3kg/m³; 1,005mm²/s ±10% tolerance with linear U/f frequency control



Contact
E-mail
Phone

Customer

Contact
E-mail
Phone

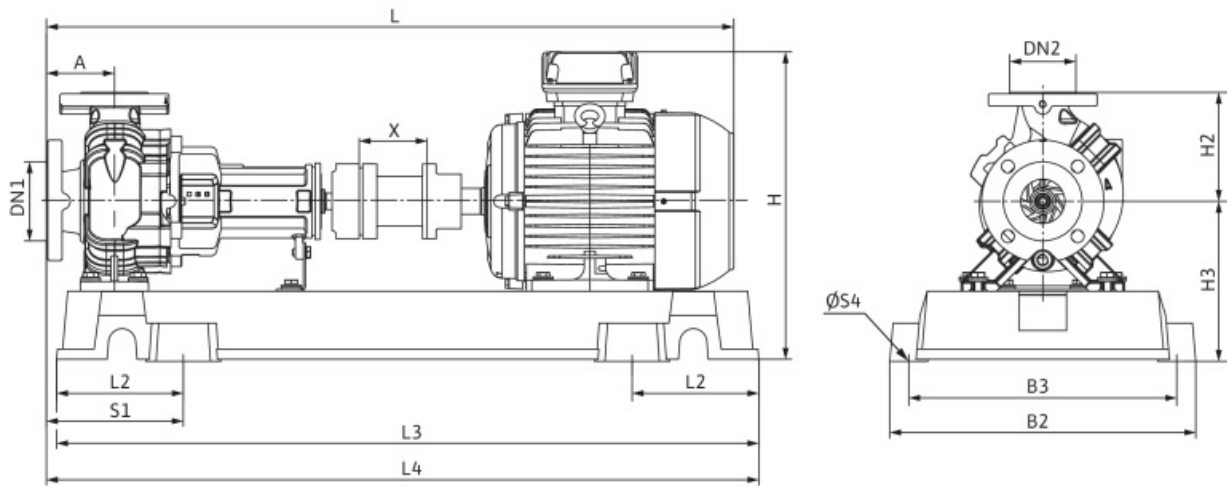
Dimensions

Glanded standard pump
Atmos GIGA-N 80/160-30/2

Project name Untitled project 2023-04-17 06:56:01.101

Project ID
Installation location
Customer pos. No.

Date 17.04.2023



Coupling with spacer

Suction side DN 100, PN 16
Discharge side DN 80, PN 16

Dimensions mm

Name	Value	Name	Value	Name	Value	Name	Value
DN1	DN 100, PN 16	H3	303	X	140		
DN2	DN 80, PN 16	L	1392				
A	125	L2	225				
B2	540	L3	1290				
B3	490	L4	1320				
H	620	S1	255				
H2	225	S4	24				