

Customer

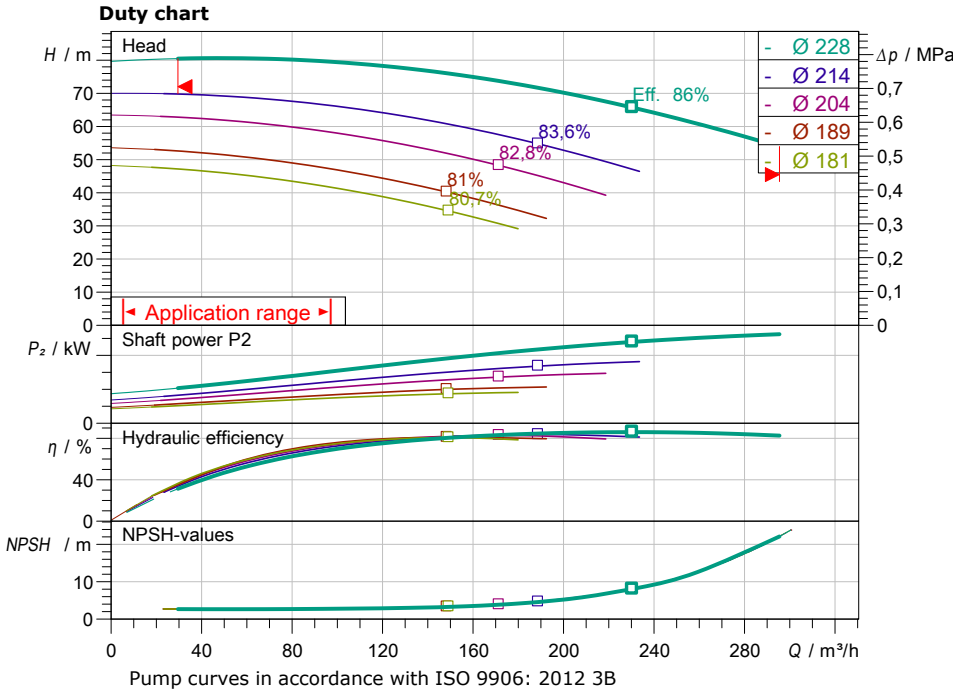
Technical data

Glanded standard pump Atmos GIGA-N 80/200-55/2

Project name Untitled project 2023-04-17 06:56:01.101

Project ID
Installation location
Customer pos. No.

Date 17.04.2023



Requested data

Flow
Head
Media Water 100 %
Fluid temperature 20,00 °C
Density 998,30 kg/m³
Kin. viscosity 1,00 mm²/s

Hydraulic data (Duty point)

Flow
Head
Shaft power P2
Hydraulic efficiency
NPSH
Impeller size 228

Product data

Glanded standard pump
Atmos GIGA-N 80/200-55/2
Max. operating pressure 1,6 MPa
Fluid temperature -20 °C ... +140 °C
Max. ambient temperature 40 °C
Minimum efficiency index (MEI) ≥ 0.4

Motordata per Motor/Pump

Motor efficiency level IE3
Mains connection 3~ 400 V / 50 Hz
Permitted voltage tolerance +-10 %
Max. speed 2960 1/min
Rated power P2 55,00 kW
Rated current 95,60 A
Power factor 0,85
Efficiency 50% / 75% / 100% 93,6/94,4/94,4%
Degree of protection IP55
Insulation class F
Motor protection PTC integrated

Fitting dimensions

Pipe connection on the suction side DN 100, PN 16
Pipe connection (pressure side) DN 80, PN 16
Port to Port

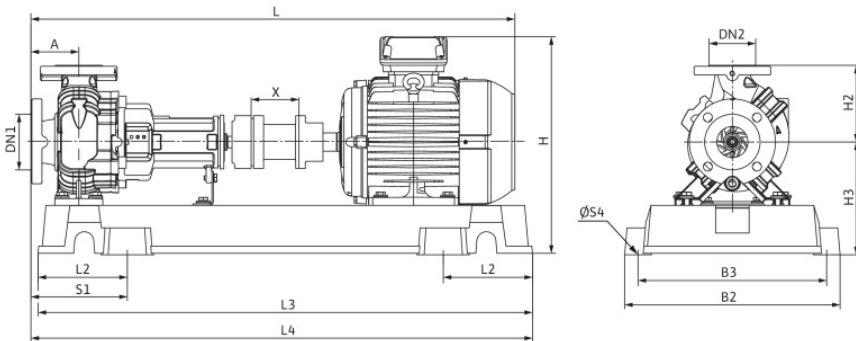
Materials

Pump housing 5.1301/EN-GJL-250

Impeller EN-GJL-200
Lantern 5.1301/EN-GJL-250
Shaft 1.4021
Shaft seal AQ1EGG

Information for order placements

Weight approx. 821 kg
Item number 6086382



Dimensions

mm

DN1	DN 100, PN 16	775	L3	1640
DN2	DN 80, PN 16	250	L4	1670
A	125	H3	S1	320
B2	660	L	S4	29
B3	600	L2	X	140

Hydraulic data

Glanded standard pump
Atmos GIGA-N 80/200-55/2

Project name: Untitled project 2023-04-17 06:56:01.101

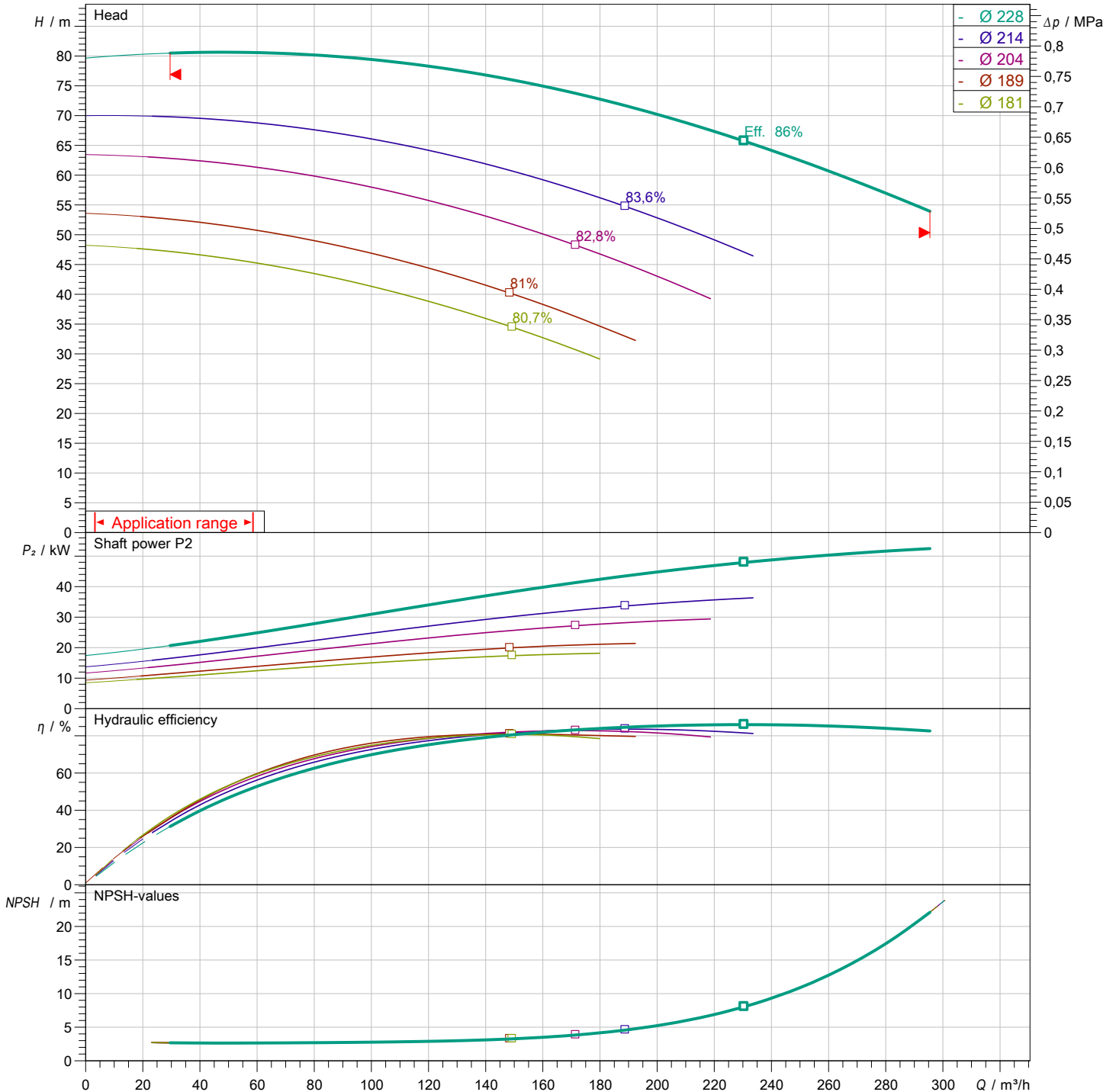
Project ID
Installation location
Customer pos. No.

Date: 17.04.2023

Operating data

Speed 2955 1/min	Frequency 50 Hz	Duty point Q =	H =	Suction port DN 100	Discharge port DN 80
----------------------------	---------------------------	--------------------------	------------	-------------------------------	--------------------------------

Power data referred to: Water; 20°C; 998,3kg/m³; 1,005mm²/s ±10% tolerance with linear U/f frequency control



Contact
E-mail
Phone

Customer

Contact
E-mail
Phone

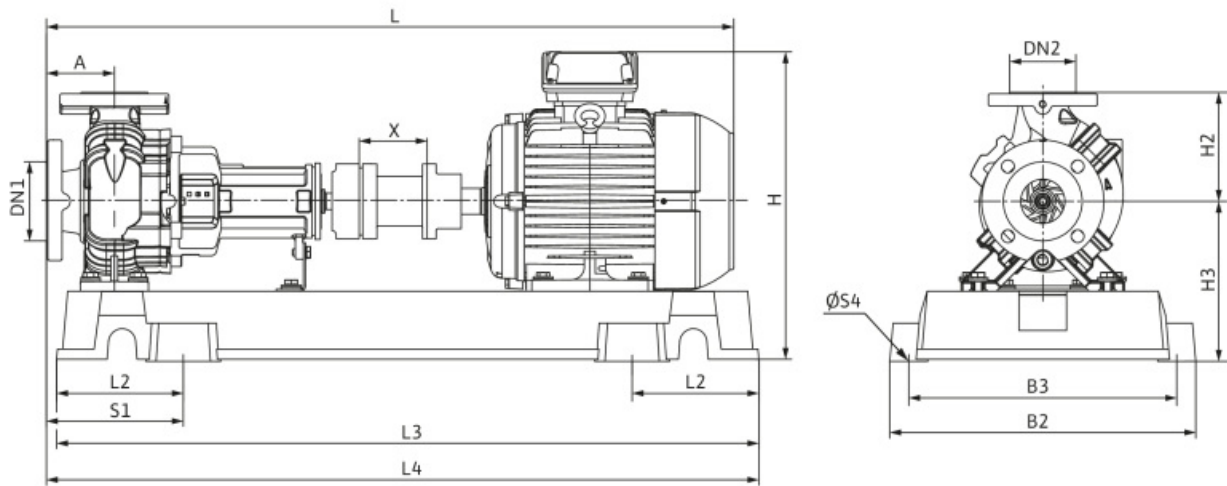
Dimensions

Glanded standard pump
Atmos GIGA-N 80/200-55/2

Project name Untitled project 2023-04-17 06:56:01.101

Project ID
Installation location
Customer pos. No.

Date 17.04.2023



Coupling with spacer

Suction side DN 100, PN 16
Discharge side DN 80, PN 16

Dimensions mm

Name	Value	Name	Value	Name	Value	Name	Value
DN1	DN 100, PN 16	H3	373	X	140		
DN2	DN 80, PN 16	L	1700				
A	125	L2	290				
B2	660	L3	1640				
B3	600	L4	1670				
H	775	S1	320				
H2	250	S4	29				