

**Customer**

## Technical data

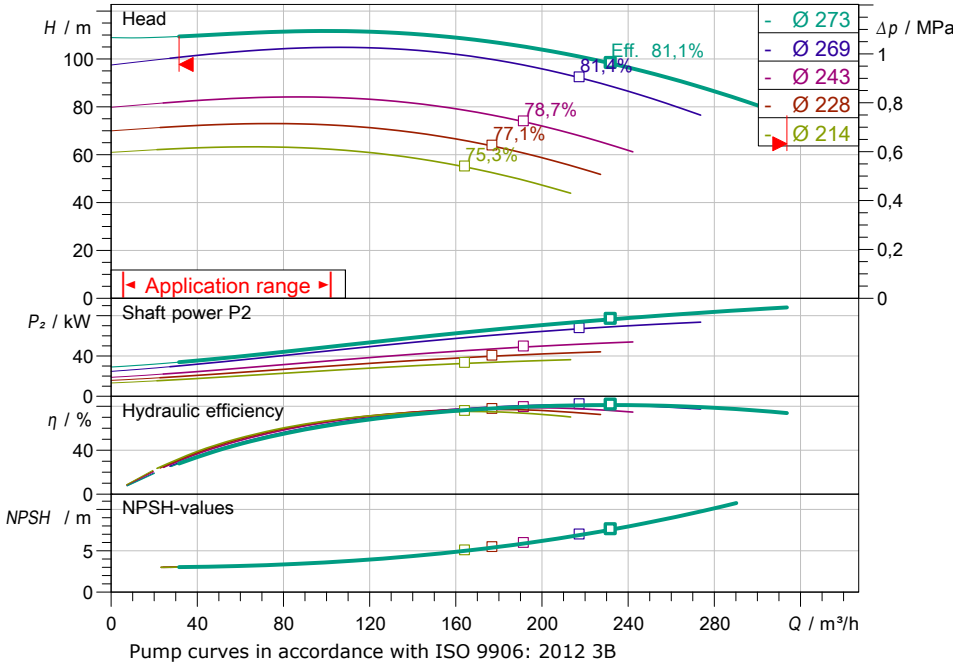
### Glanded standard pump Atmos GIGA-N 80/250-90/2

Project name: Untitled project 2023-04-17 06:56:01.101

Project ID  
Installation location  
Customer pos. No.

Date: 17.04.2023

#### Duty chart



#### Requested data

Flow  
Head  
Media: Water 100 %  
Fluid temperature: 20,00 °C  
Density: 998,30 kg/m<sup>3</sup>  
Kin. viscosity: 1,00 mm<sup>2</sup>/s

#### Hydraulic data (Duty point)

Flow  
Head  
Shaft power P2  
Hydraulic efficiency  
NPSH  
Impeller size: 273

#### Product data

Glanded standard pump  
Atmos GIGA-N 80/250-90/2  
Max. operating pressure: 1,6 MPa  
Fluid temperature: -20 °C ... +140 °C  
Max. ambient temperature: 40 °C  
Minimum efficiency index (MEI): ≥ 0.4

#### Motordata per Motor/Pump

Motor efficiency level: IE3  
Mains connection: 3~ 400 V / 50 Hz  
Permitted voltage tolerance: +-10 %  
Max. speed: 2975 1/min  
Rated power P2: 90,00 kW  
Rated current: 152,00 A  
Power factor: 0,87  
Efficiency: 50% / 75% / 100% → 94,3/95,2/95,2%  
Degree of protection: IP55  
Insulation class: F  
Motor protection: PTC integrated

#### Fitting dimensions

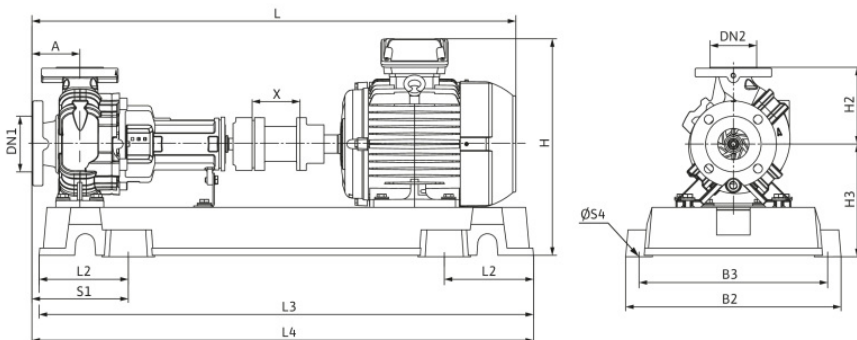
Pipe connection on the suction side: DN 100, PN 16  
Pipe connection (pressure side): DN 80, PN 16  
Port to Port

#### Materials

Pump housing: 5.1301/EN-GJL-250  
Impeller: EN-GJL-200  
Lantern: 5.1301/EN-GJL-250  
Shaft: 1.4021  
Shaft seal: AQ1EGG

#### Information for order placements

Weight approx.: 1187 kg  
Item number: 6086442



#### Dimensions

mm

DN1	DN 100, PN 16	875	L3	1840	
DN2	DN 80, PN 16	280	L4	1855	
A	125	H3	403	S1	335
B2	730	L	1806	S4	29
B3	670	L2	320	X	140

**Customer**

## Hydraulic data

Glanded standard pump  
Atmos GIGA-N 80/250-90/2

Project name: Untitled project 2023-04-17 06:56:01.101

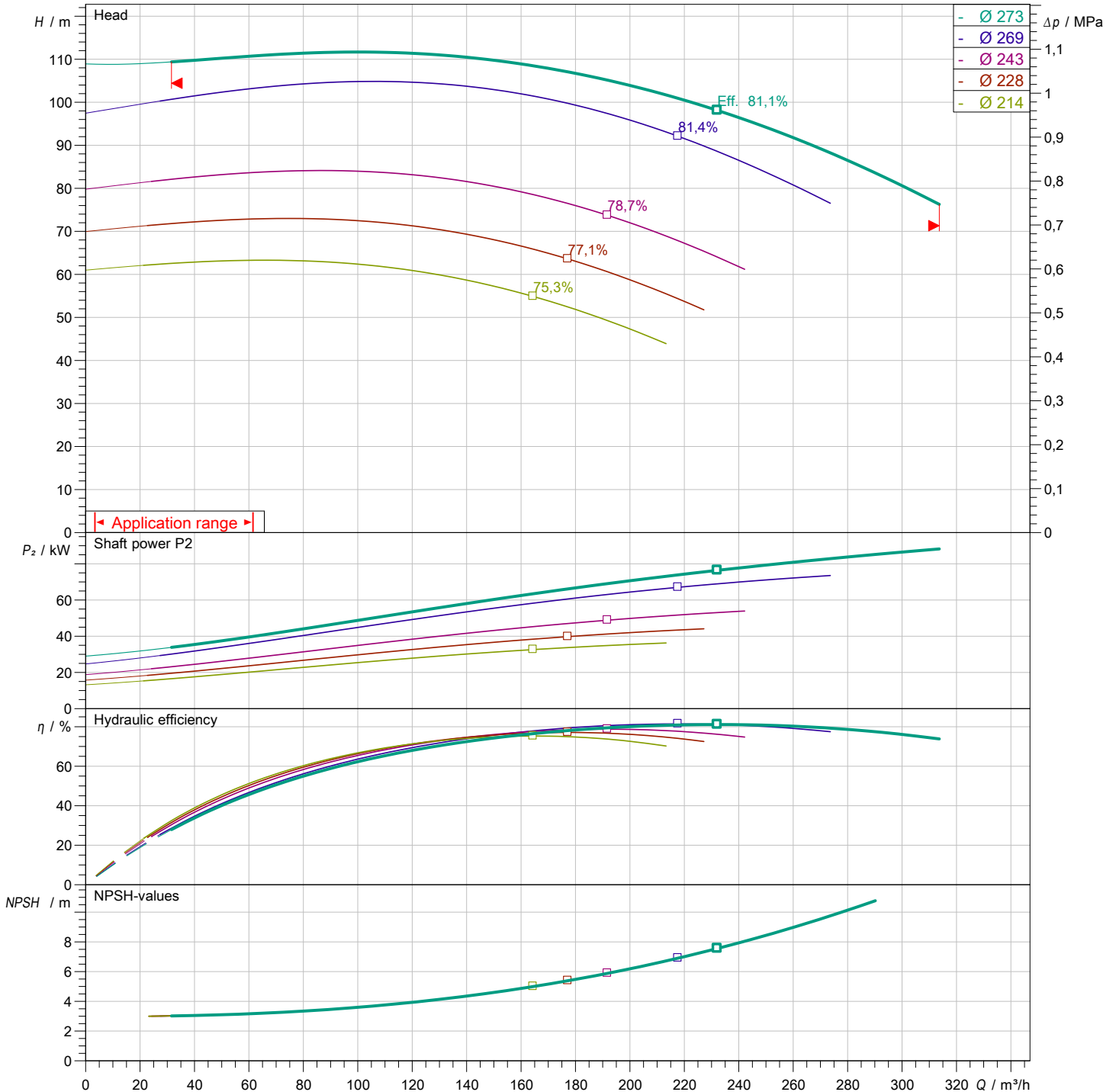
Project ID  
Installation location  
Customer pos. No.

Date: 17.04.2023

### Operating data

Speed <b>2975 1/min</b>	Frequency <b>50 Hz</b>	Duty point <b>Q =</b>	<b>H =</b>	Suction port <b>DN 100</b>	Discharge port <b>DN 80</b>
----------------------------	---------------------------	--------------------------	------------	-------------------------------	--------------------------------

Power data referred to: Water; 20°C; 998,3kg/m<sup>3</sup>; 1,005mm<sup>2</sup>/s ±10% tolerance with linear U/f frequency control



Contact  
E-mail  
Phone

**Customer**

Contact  
E-mail  
Phone

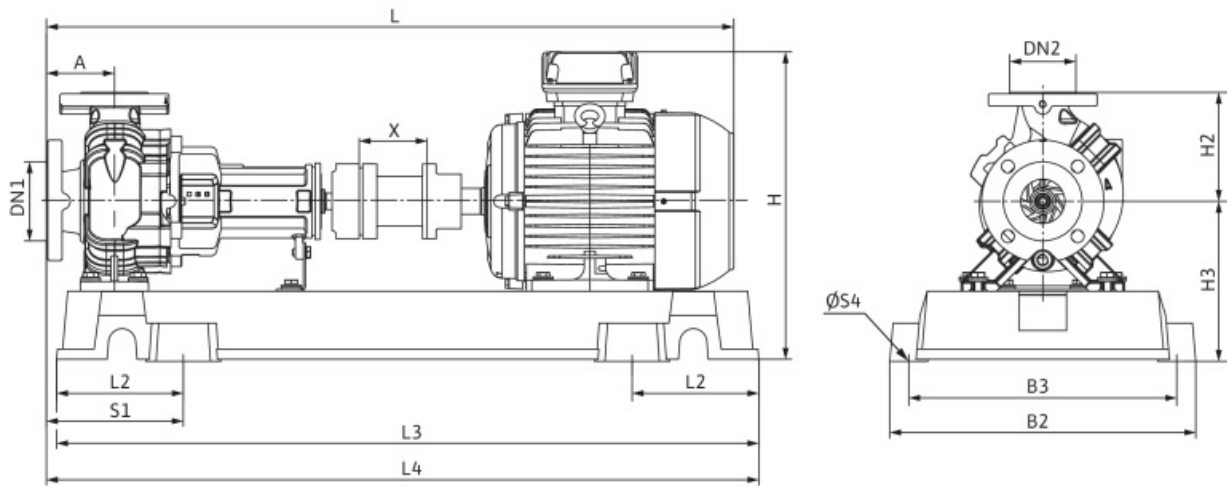
## Dimensions

Glanded standard pump  
Atmos GIGA-N 80/250-90/2

Project name                      Untitled project 2023-04-17 06:56:01.101

Project ID  
Installation location  
Customer pos. No.

Date                      17.04.2023



Coupling with spacer

Suction side                      DN 100, PN 16  
Discharge side                      DN 80, PN 16

**Dimensions**                      mm

Name	Value	Name	Value	Name	Value	Name	Value
DN1	DN 100, PN 16	H3	403	X	140		
DN2	DN 80, PN 16	L	1806				
A	125	L2	320				
B2	730	L3	1840				
B3	670	L4	1855				
H	875	S1	335				
H2	280	S4	29				