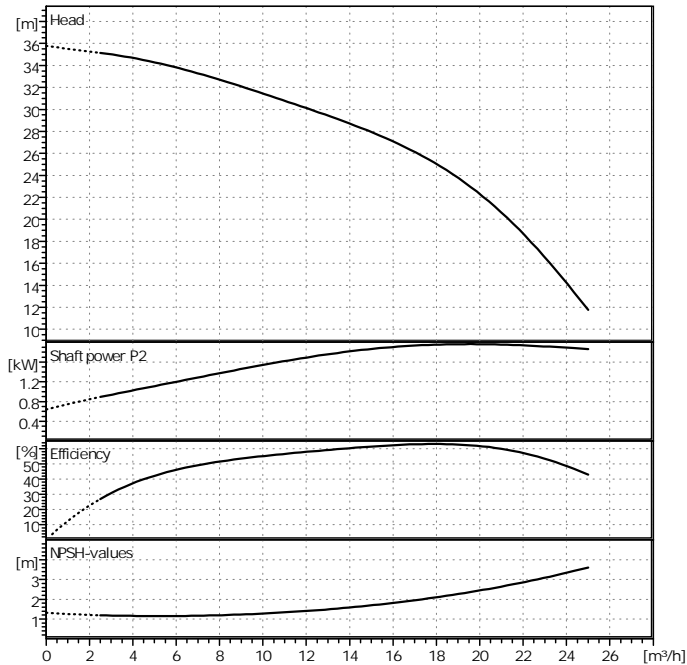


Customer _____ Project _____
 Customer no. _____ Project no. _____
 Contact _____ Position no. _____
 Care of _____ Location _____
 Date 2022-09-19



Requested data

Flow	0	m³/h
Head	0	m
Fluid	Water, pure	
Fluid temperature	20	°C
Density	0.9983	kg/dm³
Kinematic viscosity	1.005	mm²/s
Vapor pressure	0.02337	bar

Pump data

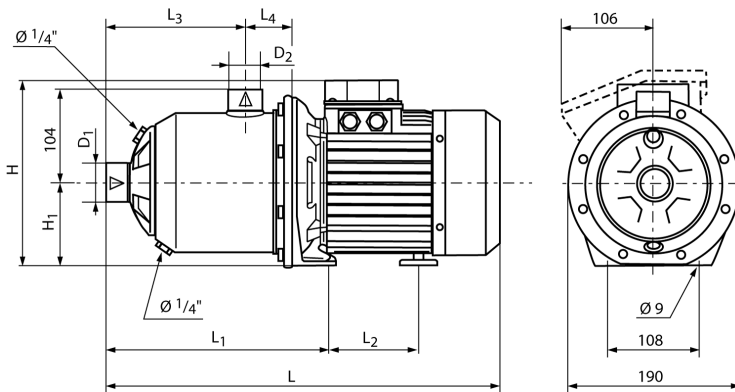
Make	WILO
Type	MHI 1603N 3~400/1.4301/EPDM
Pumpe type	Single head pump
Pressure rating	PN 10
Min. fluid temperature	-15 °C
Max. fluid temperature	110 °C

Hydraulic data (duty point)

Flow		m³/h
Head		m
Speed	2900	1/min
Shaft power P2		kW
NPSH		m

Materials / Shaft seal

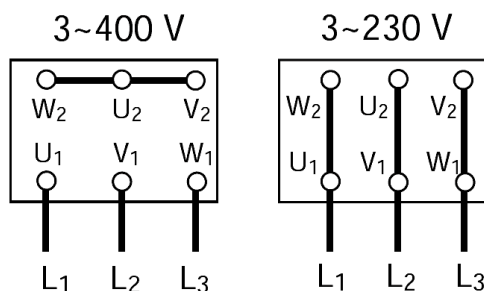
Pump housing	1.4301
Shaft	1.4301
Impellers	1.4301
Mechanical seal	Carbon/ceramic
Stage chambers	1.4301
Seal	EPDM
Housing cover	1.4301



Dimensions per pump

Dimensions per pump		mm			
H	240	L2	148		
H1	90	L3	138		
D1	2	L4	55		
D2	1 1/2				
L	482				
L1	235.5				

Suction side	2"	/ PN 10
Discharge side	1 1/2"	/ PN 10
Weight	9.8	kg



Motordata per Motor/Pump/

Rated power P2	2.2	kW
Nominal speed	2900	1/min
Rated voltage	3~400 V, 50	Hz
Max. current	5.1	A
Degree of protection	IP 54	
Permitted voltage tolerance	+/- 10%	

Item no. of standard version 4149117