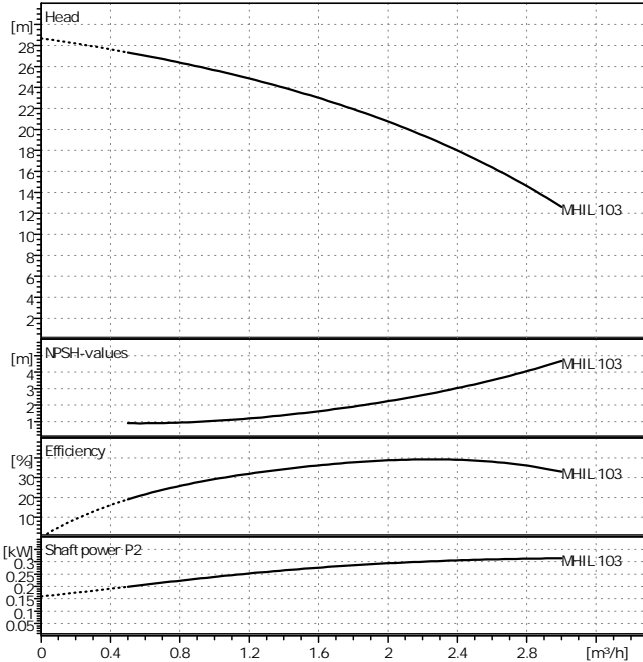




Customer _____ Project _____
 Customer no. _____ Project no. _____
 Contact _____ Position no. _____
 Care of _____ Location _____
 Date 2022-09-20



Requested data

Flow	0	m³/h
Head	0	m
Fluid	Water, pure	
Fluid temperature	20	°C
Density	0.9983	kg/dm³
Kinematic viscosity	1.005	mm²/s
Vapor pressure	0.02337	bar

Pump data

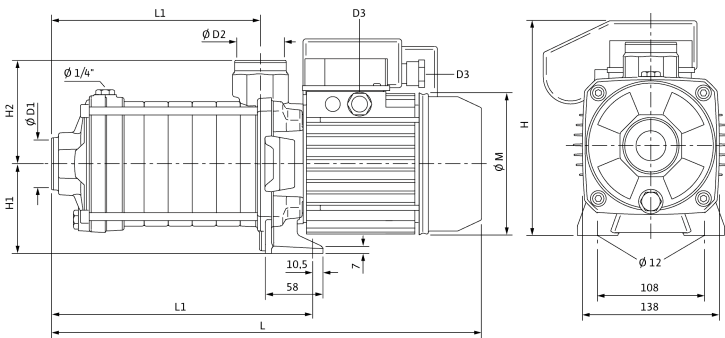
Make	WILO	
Type	MHIL 103 3~	
Pumpe type	Single head pump	
Pressure rating	PN 10	
Min. fluid temperature	-15	°C
Max. fluid temperature	90	°C

Hydraulic data (duty point)

Flow		m³/h
Head		m
Speed	2900	1/min
Shaft power P2		kW
NPSH		m

Materials / Shaft seal

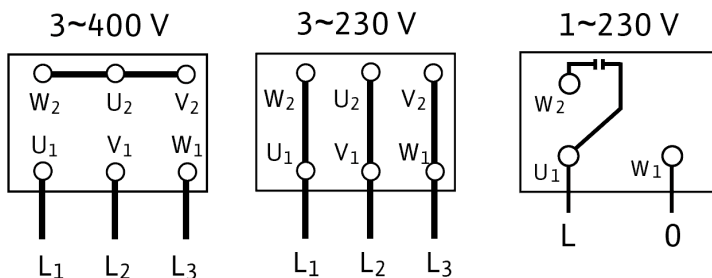
Pump housing	Cast iron
Shaft	1.4028
Impellers	1.4301
Mechanical seal	Si-carbide / carbon
Stage chambers	1.4301
Seal	EPDM
Housing cover	Cast iron



Dimensions per pump

Symbol	Unit	Value	Symbol	Unit	Value
D1	mm	341.4	L	mm	176.4
D2	mm	11	L1	mm	122.9
D3	mm	190	L2	mm	126
H	mm	90	M	mm	
H1	mm	104			
H2	mm				

Suction side	1"	/ PN 10
Discharge side	1"	/ PN 10
Weight	11.2	kg



Motordata per Motor/Pump/

Rated power P2	0.55	kW
Nominal speed	2900	1/min
Rated voltage	3~400 V, 50	Hz
Max. current	1.7	A
Degree of protection	IP 54	
Permitted voltage tolerance	+/- 10%	

Item no. of standard version 4083884