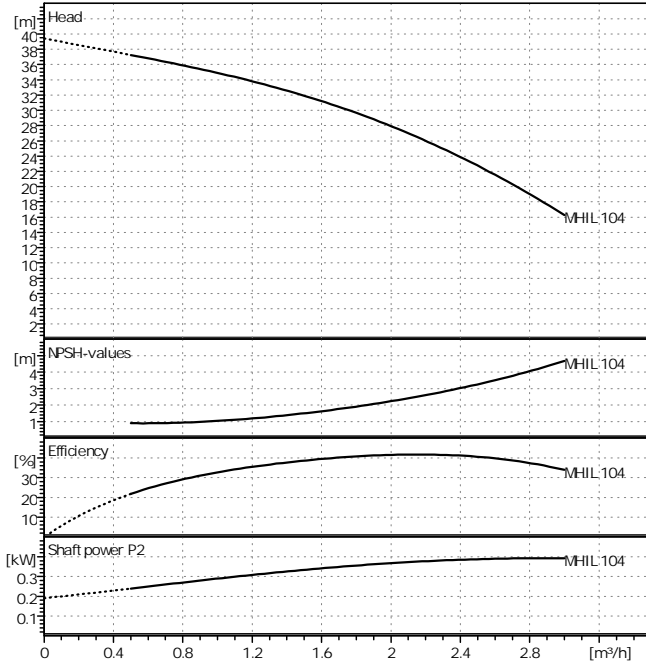




Customer _____ Project _____
 Customer no. _____ Project no. _____
 Contact _____ Position no. _____
 Care of _____ Location _____
 Date 2022-09-20



Requested data

Flow	0	m³/h
Head	0	m
Fluid	Water, pure	
Fluid temperature	20	°C
Density	0.9983	kg/dm³
Kinematic viscosity	1.005	mm²/s
Vapor pressure	0.02337	bar

Pump data

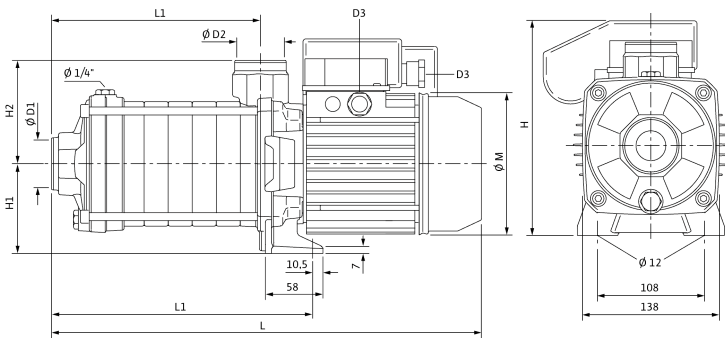
Make	WILO
Type	MHIL 104 3~
Pumpe type	Single head pump
Pressure rating	PN 10
Min. fluid temperature	-15 °C
Max. fluid temperature	90 °C

Hydraulic data (duty point)

Flow		m³/h
Head		m
Speed	2900	1/min
Shaft power P2		kW
NPSH		m

Materials / Shaft seal

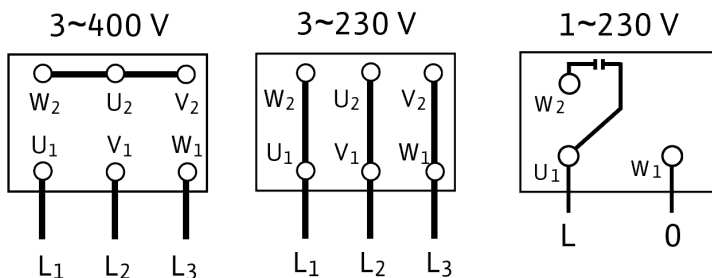
Pump housing	Cast iron
Shaft	1.4028
Impellers	1.4301
Mechanical seal	Si-carbide / carbon
Stage chambers	1.4301
Seal	EPDM
Housing cover	Cast iron



Dimensions per pump

		mm	
D1	Rp 1	L	361.6
D2	Rp 1	L1	196.6
D3	11	L2	143.1
H	190	M	126
H1	90		
H2	104		

Suction side	1"	/ PN 10
Discharge side	1"	/ PN 10
Weight	11.8	kg



Motordata per Motor/Pump/

Rated power P2	0.55	kW
Nominal speed	2900	1/min
Rated voltage	3~400 V, 50	Hz
Max. current	1.7	A
Degree of protection	IP 54	
Permitted voltage tolerance	+/- 10%	

Item no. of standard version 4083886