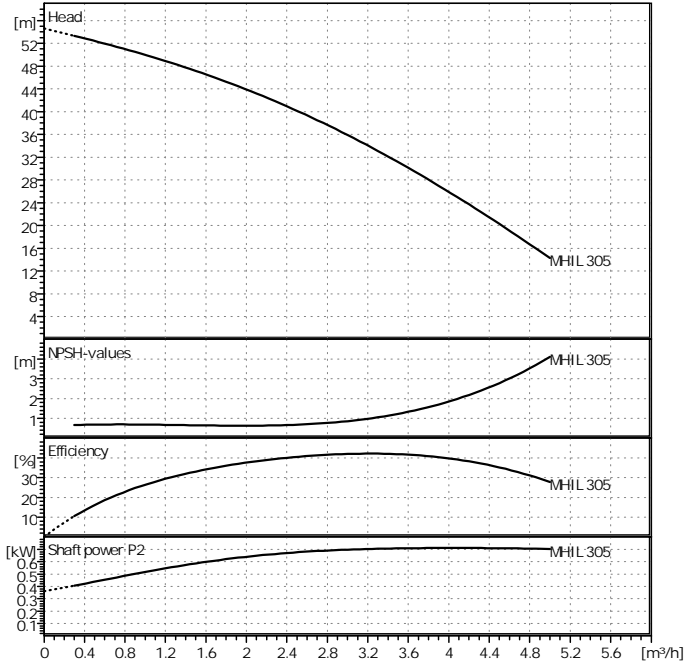




Customer _____ Project _____
 Customer no. _____ Project no. _____
 Contact _____ Position no. _____
 Care of _____ Location _____
 Date 2022-09-20



Requested data

| | | |
|---------------------|-------------|--------|
| Flow | 0 | m³/h |
| Head | 0 | m |
| Fluid | Water, pure | |
| Fluid temperature | 20 | °C |
| Density | 0.9983 | kg/dm³ |
| Kinematic viscosity | 1.005 | mm²/s |
| Vapor pressure | 0.02337 | bar |

Pump data

| | |
|------------------------|------------------|
| Make | WILO |
| Type | MHIL 305 3~ |
| Pumpe type | Single head pump |
| Pressure rating | PN 10 |
| Min. fluid temperature | -15 °C |
| Max. fluid temperature | 90 °C |

Hydraulic data (duty point)

| | | |
|----------------|------|-------|
| Flow | | m³/h |
| Head | | m |
| Speed | 2900 | 1/min |
| Shaft power P2 | | kW |
| NPSH | | m |

Materials / Shaft seal

| | |
|-----------------|---------------------|
| Pump housing | Cast iron |
| Shaft | 1.4028 |
| Impellers | 1.4301 |
| Mechanical seal | Si-carbide / carbon |
| Stage chambers | 1.4301 |
| Seal | EPDM |
| Housing cover | Cast iron |

Dimensions per pump

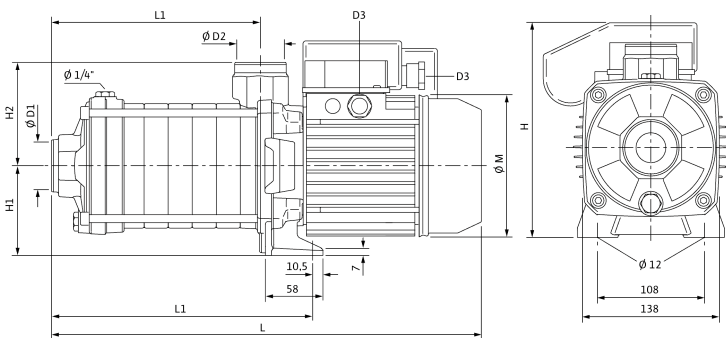
| | | | | | | | |
|----|------|----|-------|--|--|--|--|
| D1 | Rp 1 | L | 409 | | | | |
| D2 | Rp 1 | L1 | 239.8 | | | | |
| D3 | 11 | L2 | 186.3 | | | | |
| H | 192 | M | 145 | | | | |
| H1 | 90 | | | | | | |
| H2 | 104 | | | | | | |

| | | |
|----------------|------|---------|
| Suction side | 1" | / PN 10 |
| Discharge side | 1" | / PN 10 |
| Weight | 17.8 | kg |

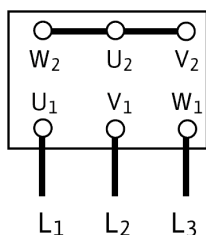
Motordata per Motor/Pump/

| | | |
|-----------------------------|----------------|-------|
| Rated power P2 | 0.75 | kW |
| Nominal speed | 2900 | 1/min |
| Rated voltage | 3~400 V, 50 Hz | |
| Max. current | 2.1 | A |
| Degree of protection | IP 54 | |
| Permitted voltage tolerance | +/- 10% | |

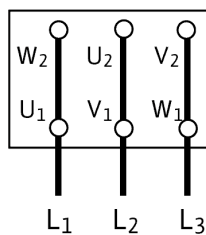
Item no. of standard version 4083900



3~400 V



3~230 V



1~230 V

