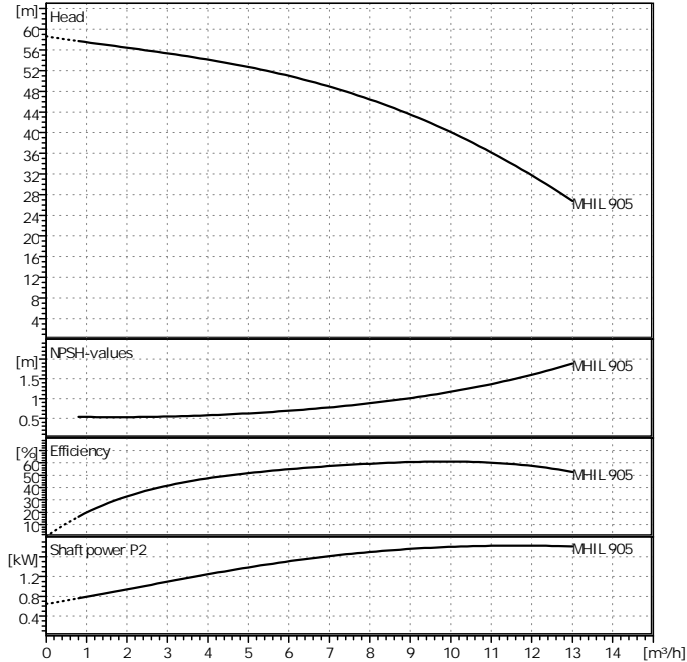




Customer _____ Project _____
 Customer no. _____ Project no. _____
 Contact _____ Position no. _____
 Care of _____ Location _____
 Date 2022-09-20



Requested data

Flow	0	m³/h
Head	0	m
Fluid	Water, pure	
Fluid temperature	20	°C
Density	0.9983	kg/dm³
Kinematic viscosity	1.005	mm²/s
Vapor pressure	0.02337	bar

Pump data

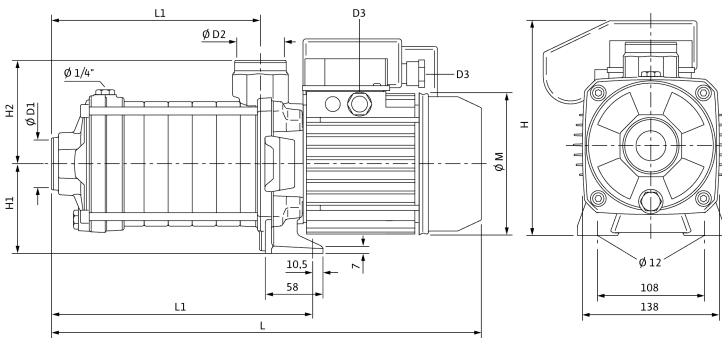
Make	WILO	
Type	MHIL 905 3~	
Pumpe type	Single head pump	
Pressure rating	PN 10	
Min. fluid temperature	-15	°C
Max. fluid temperature	90	°C

Hydraulic data (duty point)

Flow		m³/h
Head		m
Speed	2900	1/min
Shaft power P2		kW
NPSH		m

Materials / Shaft seal

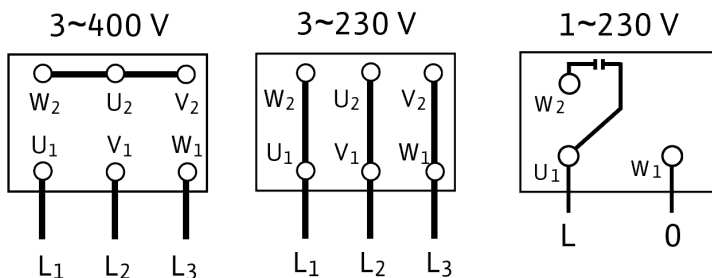
Pump housing	Cast iron
Shaft	1.4028
Impellers	1.4301
Mechanical seal	Si-carbide / carbon
Stage chambers	1.4301
Seal	EPDM
Housing cover	Cast iron



Dimensions per pump

Dimension	Value	Unit
D1	Rp 1 1/2	458.8
D2	Rp 1 1/4	263.8
D3	L2	210.3
H	M	162
H1	90	
H2	104	

Suction side	1 1/2" / PN 10
Discharge side	1 1/4" / PN 10
Weight	17.5 kg



Motordata per Motor/Pump/

Rated power P2	1.85	kW
Nominal speed	2900	1/min
Rated voltage	3~400 V, 50 Hz	
Max. current	4.95	A
Degree of protection	IP 54	
Permitted voltage tolerance	+/- 10%	

Item no. of standard version 4083920