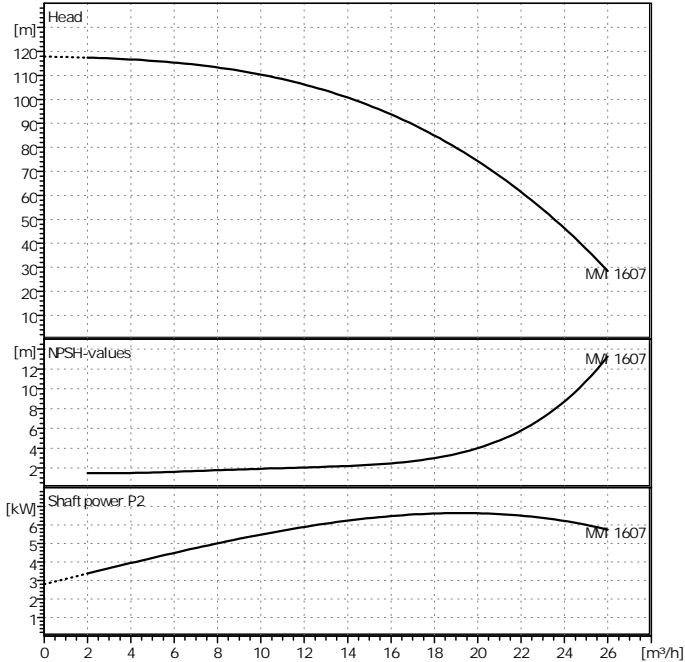




Customer _____ Project _____
 Customer no. _____ Project no. _____
 Contact _____ Position no. _____
 Care of _____ Location _____
 Date 2023-05-06



Requested data

Flow	0	m³/h
Head	0	m
Fluid	Water, pure	
Fluid temperature	20	°C
Density	0.9983	kg/dm³
Kinematic viscosity	1.005	mm²/s
Vapor pressure	0.02337	bar

Pump data

Make	WILO
Type	MVI 1607/ PN16 3~
Pumpe type	Single head pump
Pressure rating	PN 16
Min. fluid temperature	-15 °C
Max. fluid temperature	120 °C

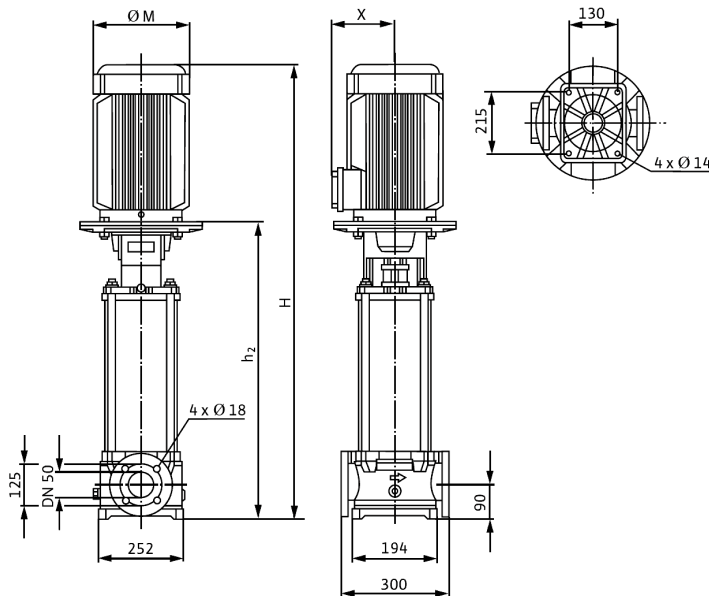
Hydraulic data (duty point)

Flow		m³/h
Head		m
Speed	2900	1/min
Shaft power P2		kW
NPSH		m

Materials / Shaft seal

Pump base	Cast iron
Impellers	1.4301
Stage chambers	1.4301
Pressure casing	1.4301
Shaft	1.4404
Seals	EPDM
Mechanical seal	Wolfram carbide/graphit

Dimensions per pump



Dimensions per pump		mm					
H	1017						
h2	622						
X	179						
M	279						
K	4x18mm						

Suction side	DN50 / PN 16
Discharge side	DN50 / PN 16
Weight	107 kg

Motordata per Motor/Pump/

Rated power P2	7.5	kW
Nominal speed	2950	1/min
Rated voltage	3~400 V, 50 Hz	
Max. current	14.5	A
Degree of protection	IP 55	
Permitted voltage tolerance	+/- 10%	

Item no. of standard version 4035842