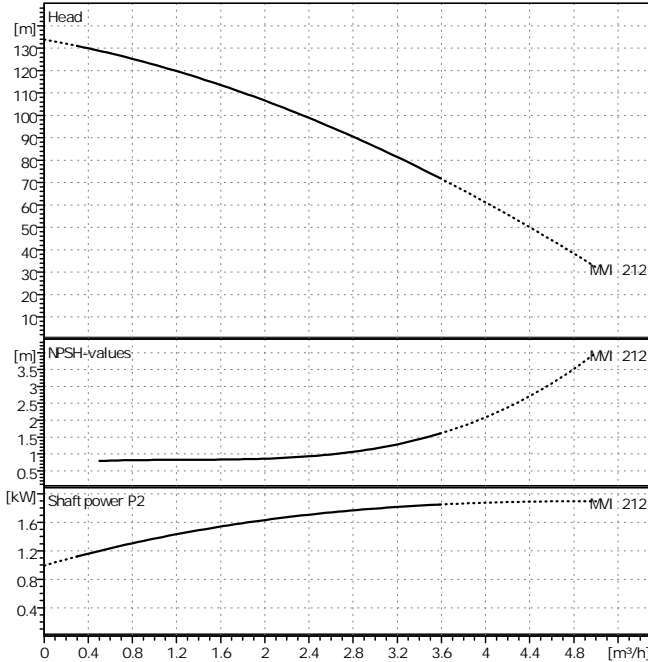




Customer _____ Project _____
 Customer no. _____ Project no. _____
 Contact _____ Position no. _____
 Care of _____ Location _____
 Date 2023-05-06 Page 1 / 1



Requested data

| | | |
|---------------------|-------------|--------|
| Flow | 0 | m³/h |
| Head | 0 | m |
| Fluid | Water, pure | |
| Fluid temperature | 20 | °C |
| Density | 0.9983 | kg/dm³ |
| Kinematic viscosity | 1.005 | mm²/s |
| Vapor pressure | 0.02337 | bar |

Pump data

| | | |
|------------------------|------------------|----|
| Make | WILO | |
| Type | MVI 212/ PN16 3~ | |
| Pumpe type | Single head pump | |
| Pressure rating | PN 16 | |
| Min. fluid temperature | -15 | °C |
| Max. fluid temperature | 120 | °C |

Hydraulic data (duty point)

| | | |
|----------------|------|-------|
| Flow | | m³/h |
| Head | | m |
| Speed | 2900 | 1/min |
| Shaft power P2 | | kW |
| NPSH | | m |

Materials / Shaft seal

| | |
|-----------------|-------------------------|
| Impellers | 1.4301 |
| Stage chambers | 1.4301 |
| Pressure casing | 1.4301 |
| Shaft | 1.4301 |
| Housing cover | 1.4301 |
| Seal | EPDM |
| Mechanical seal | Wolfram carbide/graphit |

Dimensions per pump

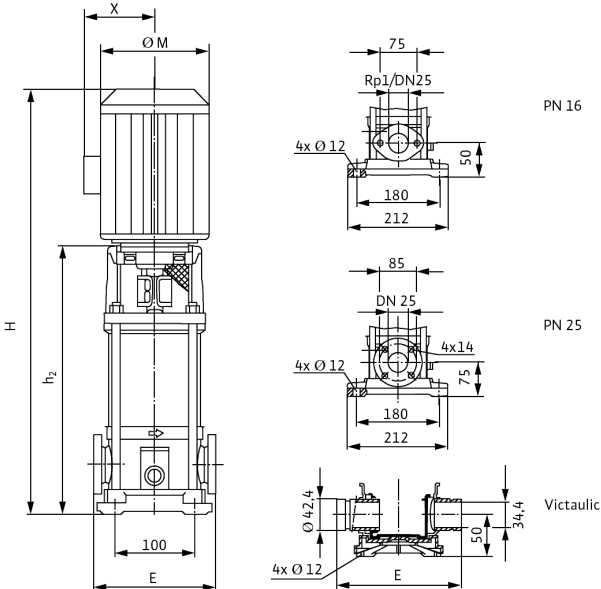
| | mm | | | | | |
|----|-------|--|--|--|--|--|
| E | 204 | | | | | |
| H | 812.5 | | | | | |
| h2 | 632.5 | | | | | |
| X | 148 | | | | | |
| M | 190 | | | | | |

| | | |
|----------------|----|---------|
| Suction side | 1" | / PN 16 |
| Discharge side | 1" | / PN 16 |
| Weight | 33 | kg |

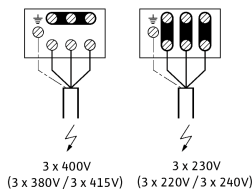
Motordata per Motor/Pump/

| | | |
|-----------------------------|----------------|-------|
| Rated power P2 | 1.85 | kW |
| Nominal speed | 2950 | 1/min |
| Rated voltage | 3~400 V, 50 Hz | |
| Max. current | 4 | A |
| Degree of protection | IP 55 | |
| Permitted voltage tolerance | +/- 10% | |

Item no. of standard version 4024676



MOT. 230 - 400V (220 - 380V / 240 - 415V)
 < 4kW



MOT. 400VD (380VD / 415VD)
 > 4kW

