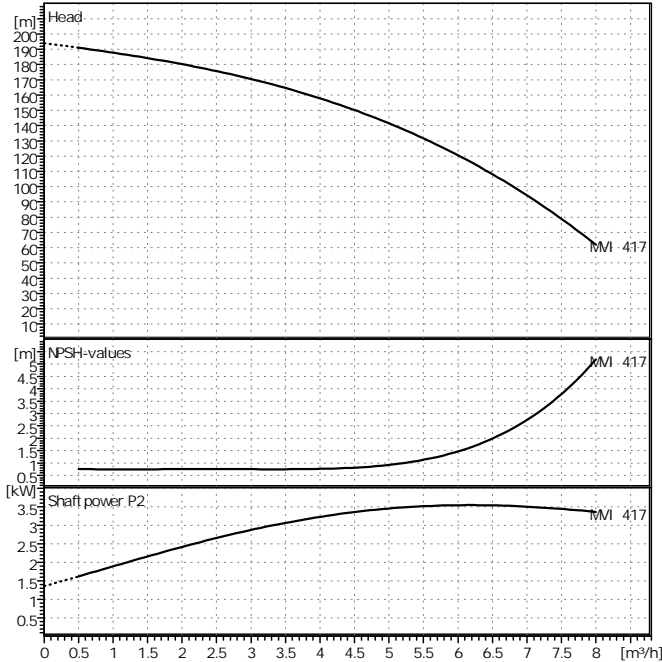




Customer \_\_\_\_\_ Project \_\_\_\_\_  
 Customer no. \_\_\_\_\_ Project no. \_\_\_\_\_  
 Contact \_\_\_\_\_ Position no. \_\_\_\_\_  
 Care of \_\_\_\_\_ Location \_\_\_\_\_  
 Date 2023-05-06



Requested data

Flow	0	m <sup>3</sup> /h
Head	0	m
Fluid	Water, pure	
Fluid temperature	20	°C
Density	0.9983	kg/dm <sup>3</sup>
Kinematic viscosity	1.005	mm <sup>2</sup> /s
Vapor pressure	0.02337	bar

Pump data

Make	WILO
Type	MVI 417/ PN25 3~
Pumpe type	Single head pump
Pressure rating	PN 25
Min. fluid temperature	-15 °C
Max. fluid temperature	120 °C

Hydraulic data (duty point)

Flow		m <sup>3</sup> /h
Head		m
Speed	2900	1/min
Shaft power P2		kW
NPSH		m

Materials / Shaft seal

Impellers	1.4301
Stage chambers	1.4301
Pressure casing	1.4301
Shaft	1.4301
Housing cover	1.4301
Seal	EPDM
Mechanical seal	Wolfram carbide/graphit

Dimensions per pump

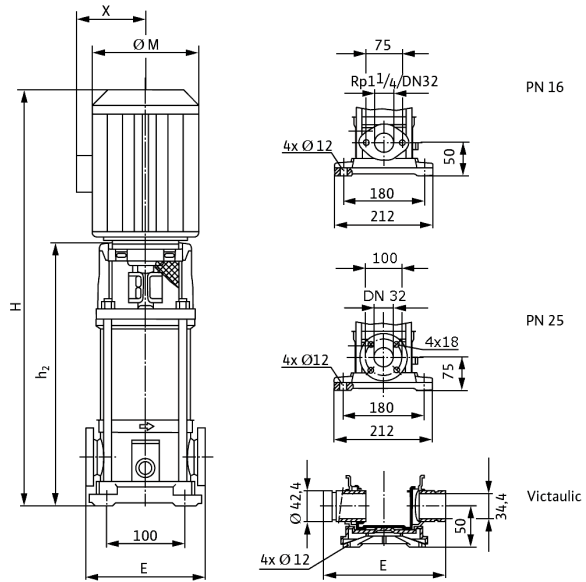
E	250						
H	1013						
h2	687.5						
X	158						
M	213						

Suction side	DN32 / PN 25
Discharge side	DN32 / PN 25
Weight	46.6 kg

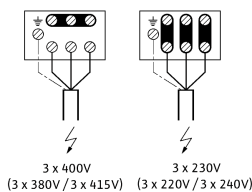
Motordata per Motor/Pump/

Rated power P2	3.7	kW
Nominal speed	2950	1/min
Rated voltage	3~400 V, 50 Hz	
Max. current	7.8	A
Degree of protection	IP 55	
Permitted voltage tolerance	+/- 10%	

Item no. of standard version 4024719



MOT. 230 - 400V (220 - 380V / 240 - 415V)  
 < 4kW



MOT. 400VD (380VD / 415VD)  
 > 4kW

