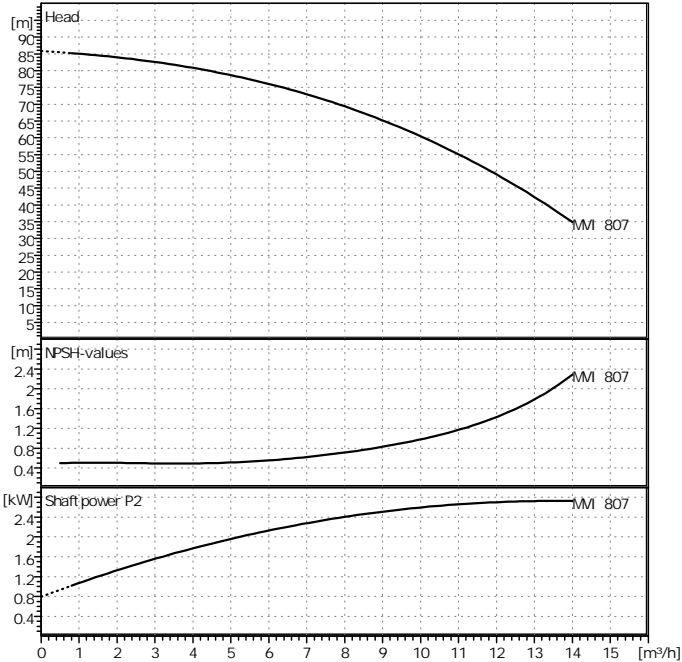




Customer \_\_\_\_\_ Project \_\_\_\_\_  
 Customer no. \_\_\_\_\_ Project no. \_\_\_\_\_  
 Contact \_\_\_\_\_ Position no. \_\_\_\_\_  
 Care of \_\_\_\_\_ Location \_\_\_\_\_  
 Date 2023-05-06 Page 1 / 1



Requested data		
Flow	0	m³/h
Head	0	m
Fluid	Water, pure	
Fluid temperature	20	°C
Density	0.9983	kg/dm³
Kinematic viscosity	1.005	mm²/s
Vapor pressure	0.02337	bar

Pump data		
Make	WILO	
Type	MVI 807/ PN16 3~	
Pumpe type	Single head pump	
Pressure rating	PN 16	
Min. fluid temperature	-15	°C
Max. fluid temperature	120	°C

Hydraulic data (duty point)		
Flow		m³/h
Head		m
Speed	2900	1/min
Shaft power P2		kW
NPSH		m

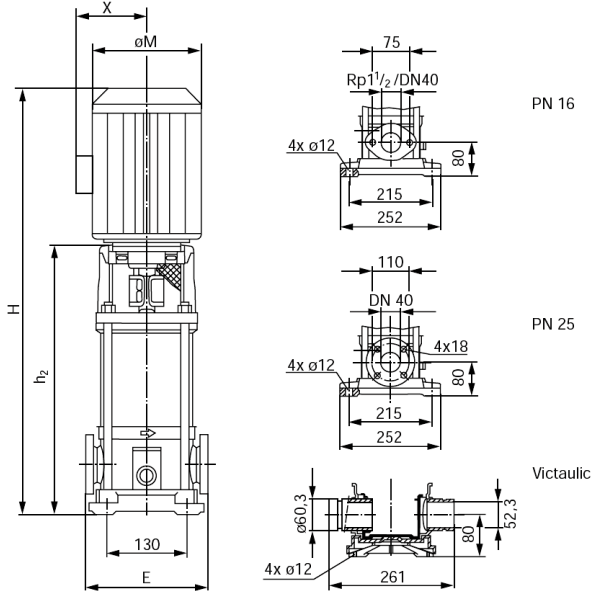
Materials / Shaft seal	
Impellers	1.4301
Stage chambers	1.4301
Pressure casing	1.4301
Shaft	1.4301
Housing cover	1.4301
Seal	EPDM
Mechanical seal	Wolfram carbide/graphit

Dimensions per pump		mm					
E	250						
H	824						
h2	504						
X	158						
M	213						

Suction side	1 1/2"	/ PN 16
Discharge side	1 1/2"	/ PN 16
Weight	41.1	kg

Motordata per Motor/Pump/		
Rated power P2	3	kW
Nominal speed	2950	1/min
Rated voltage	3~400 V, 50	Hz
Max. current	6.3	A
Degree of protection	IP 55	
Permitted voltage tolerance	+/- 10%	

Item no. of standard version 4024733



MOT. 230 - 400V (220 - 380V / 240 - 415V)  
 < 4kW

MOT. 400VD (380VD / 415VD)  
 > 4kW

