

**Customer**

## Technical data

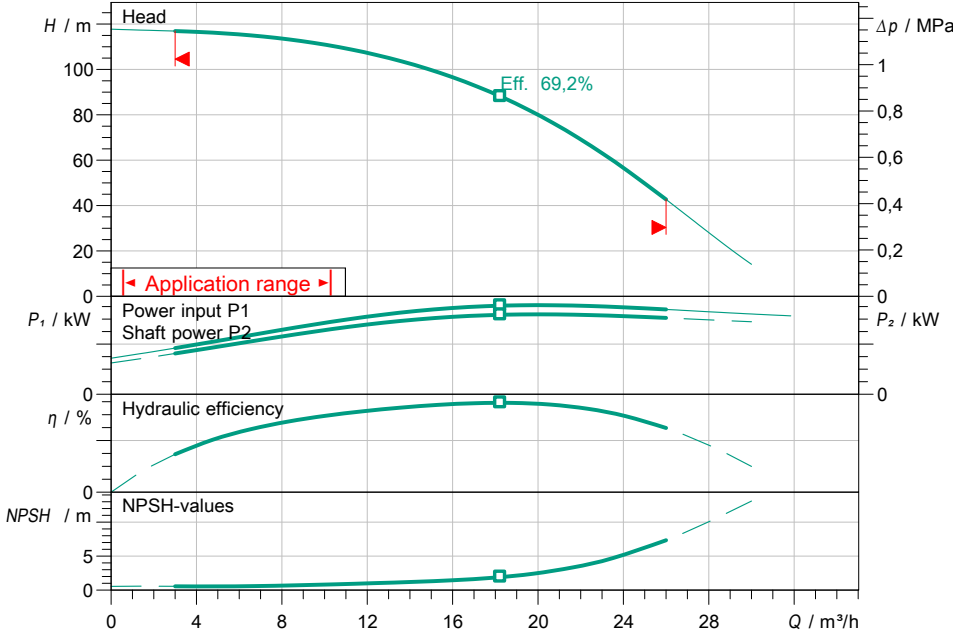
### High-pressure multistage centrifugal pump Helix FIRST V 1609-5/25/E/KS/400-50

Project name: Untitled project 2023

Project ID  
Installation location  
Customer pos.no

Date: 15.06.2023

#### Duty chart

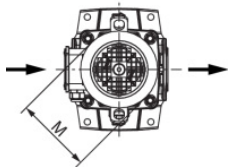
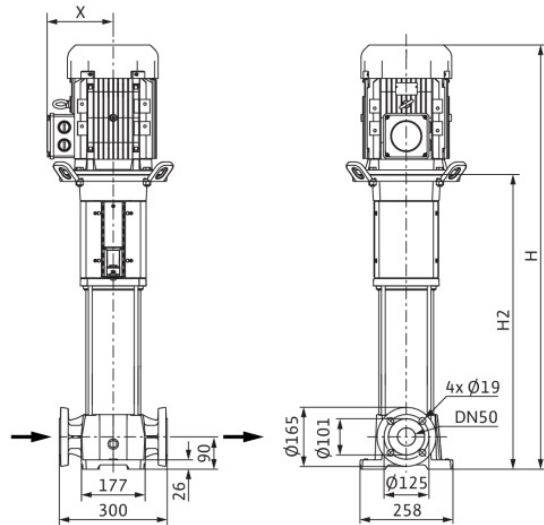
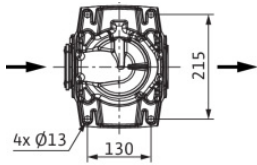


ISO 9906: 2012 3B

#### Dimensions

mm

H	1290
H2	940
ØM	225
X	191



#### Requested data

Flow	
Head	
Media	Water 100 %
Fluid temperature	20,00 °C
Density	998,30 kg/m³
Kin. viscosity	1,00 mm²/s

#### Hydraulic data (Duty point)

Flow	
Head	
Shaft power P2	
Hydraulic efficiency	
NPSH	

#### Product data

High-pressure multistage centrifugal pump Helix FIRST V 1609-5/25/E/KS/400-50	
Max. operating pressure	2,5 MPa
Inlet pressure max.	10 bar
Fluid temperature	-20 °C ... +120 °C
Max. ambient temperature	50 °C
Minimum efficiency index (MEI)	≥ 0.5

#### Motordata per Motor/Pump

Motor efficiency level	IE3
Mains connection	3~ 400 V / 50 Hz
Permitted voltage tolerance	+ -10 %
Max. speed	2905 1/min
Rated power P2	7,50 kW
Rated current	13,70 A
Power factor	0,88
Efficiency	50% / 75% / 100%
Degree of protection	IP55
Insulation class	F
Motor protection	no

#### Fitting dimensions

Pipe connection on the suction side	DN 50, PN 25
Pipe connection on the pressure side	DN 50, PN 25

#### Materials

Pump housing	5.1301/EN-GJL-250
Impeller	1.4307
Shaft	1.4301
Shaft seal	BQ7EGG
Gasket material	EPDM

#### Information for order placements

Weight approx.	90 kg
Item number	4201001