

Customer

Technical data

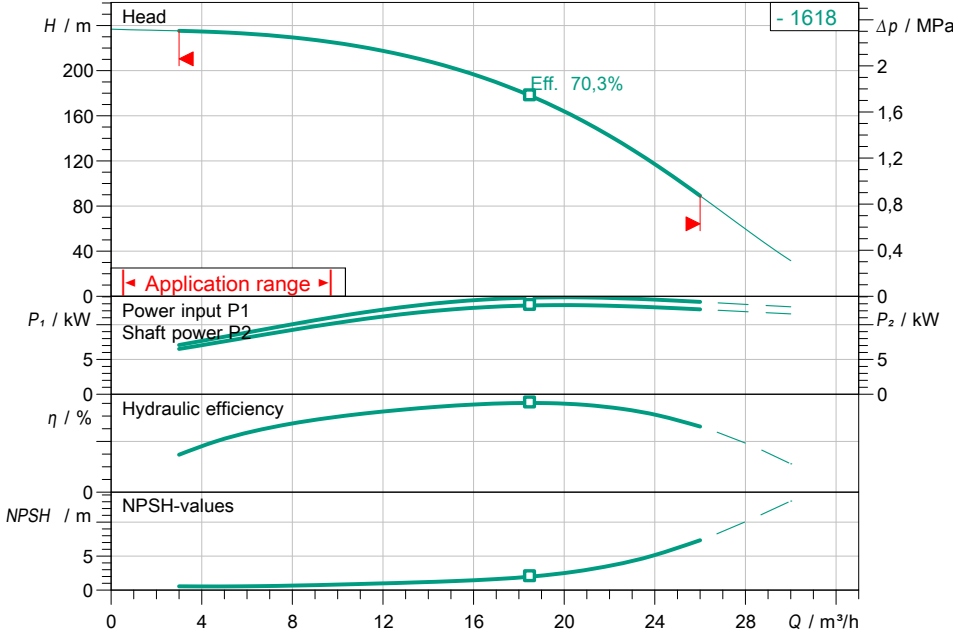
High-pressure multistage centrifugal pump Helix FIRST V 1618-5/30/E/KS/400-50

Project name Untitled project 2023

Project ID
Installation location
Customer pos.no

Date 15.06.2023

Duty chart

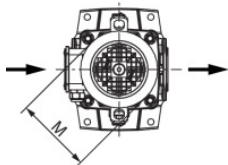
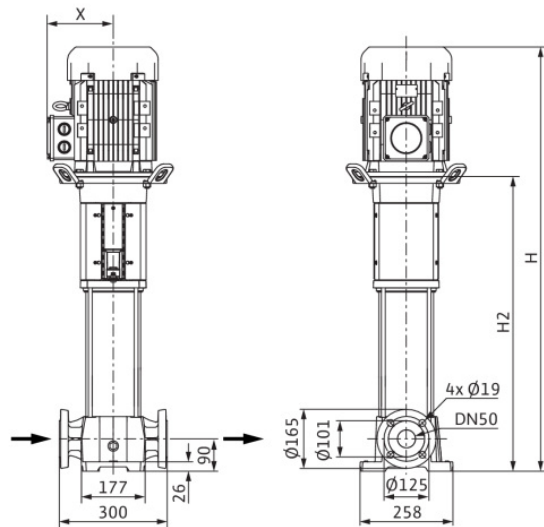
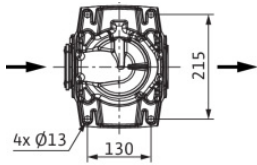


ISO 9906: 2012 3B

Dimensions

mm

H	1901
H2	1421
ØM	305
X	218



Requested data

Flow	
Head	
Media	Water 100 %
Fluid temperature	20,00 °C
Density	998,30 kg/m³
Kin. viscosity	1,00 mm²/s

Hydraulic data (Duty point)

Flow	
Head	
Shaft power P2	
Hydraulic efficiency	
NPSH	

Product data

High-pressure multistage centrifugal pump Helix FIRST V 1618-5/30/E/KS/400-50	
Max. operating pressure	3 MPa
Inlet pressure max.	10 bar
Fluid temperature	-20 °C ... +120 °C
Max. ambient temperature	50 °C
Minimum efficiency index (MEI)	≥ 0.5

Motordata per Motor/Pump

Motor efficiency level	IE3
Mains connection	3~ 400 V / 50 Hz
Permitted voltage tolerance	+ -10 %
Max. speed	2900 1/min
Rated power P2	15,00 kW
Rated current	26,70 A
Power factor	0,88
Efficiency	50% / 75% / 100%
Degree of protection	IP55
Insulation class	F
Motor protection	no

Fitting dimensions

Pipe connection on the suction side	DN 50, PN 40
Pipe connection on the pressure side	DN 50, PN 40

Materials

Pump housing	5.1301/EN-GJL-250
Impeller	1.4307
Shaft	1.4301
Shaft seal	Q1BE3GG
Gasket material	EPDM

Information for order placements

Weight approx.	166 kg
Item number	4201014